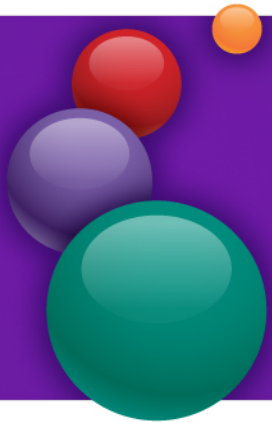


MIPI UniPort-M Integrating the M-PORT into UniPro



Jürgen Urban
UniPro Working Group Chairman
11 Nov. 2015 – MIPI Member Webinar





Legal Disclaimer

The material contained herein is not a license, either expressly or impliedly, to any IPR owned or controlled by any of the authors or developers of this material or MIPI®. The material contained herein is provided on an "AS IS" basis and to the maximum extent permitted by applicable law, this material is provided AS IS AND WITH ALL FAULTS, and the authors and developers of this material and MIPI hereby disclaim all other warranties and conditions, either express, implied or statutory, including, but not limited to, any (if any) implied warranties, duties or conditions of merchantability, of fitness for a particular purpose, of accuracy or completeness of responses, of results, of workmanlike effort, of lack of viruses, and of lack of negligence. ALSO, THERE IS NO WARRANTY OR CONDITION OF TITLE, QUIET ENJOYMENT, QUIET POSSESSION, CORRESPONDENCE TO DESCRIPTION OR NON-INFRINGEMENT WITH REGARD TO THIS MATERIAL.

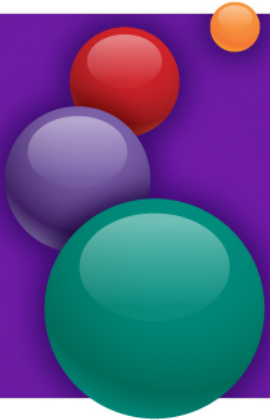
All materials contained herein are protected by copyright laws, and may not be reproduced, republished, distributed, transmitted, displayed, broadcast or otherwise exploited in any manner without the express prior written permission of MIPI Alliance. MIPI, MIPI Alliance and the dotted rainbow arch and all related trademarks, tradenames, and other intellectual property are the exclusive property of MIPI Alliance and cannot be used without its express prior written permission.

IN NO EVENT WILL ANY AUTHOR OR DEVELOPER OF THIS MATERIAL OR MIPI BE LIABLE TO ANY OTHER PARTY FOR THE COST OF PROCURING SUBSTITUTE GOODS OR SERVICES, LOST PROFITS, LOSS OF USE, LOSS OF DATA, OR ANY INCIDENTAL, CONSEQUENTIAL, DIRECT, INDIRECT, OR SPECIAL DAMAGES WHETHER UNDER CONTRACT, TORT, WARRANTY, OR OTHERWISE, ARISING IN ANY WAY OUT OF THIS OR ANY OTHER AGREEMENT RELATING TO THIS MATERIAL, WHETHER OR NOT SUCH PARTY HAD ADVANCE NOTICE OF THE POSSIBILITY OF SUCH DAMAGES.

MIPI Alliance: A Brief Introduction



Peter B. Lefkin
Managing Director



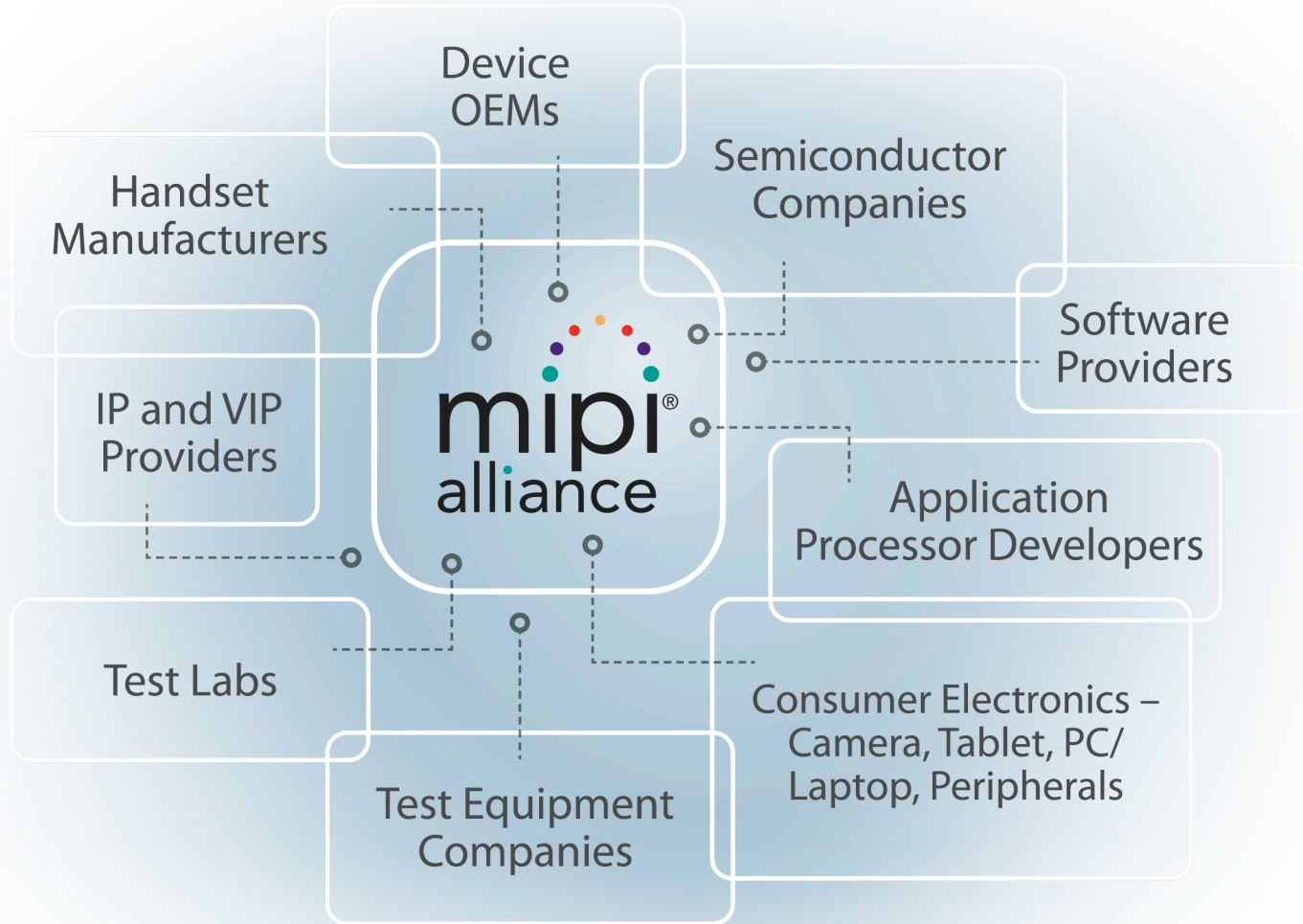


About MIPI Alliance

- 282 Members (as of 31 October 2015)
- 45+ specifications and supporting docs
- We drive **mobile** and **mobile-influenced interface** technology through the development of hardware and software **specifications**
- We work **globally** and **collaboratively** with other standards bodies to **benefit the mobile ecosystem**



MIPI Alliance Member Ecosystem



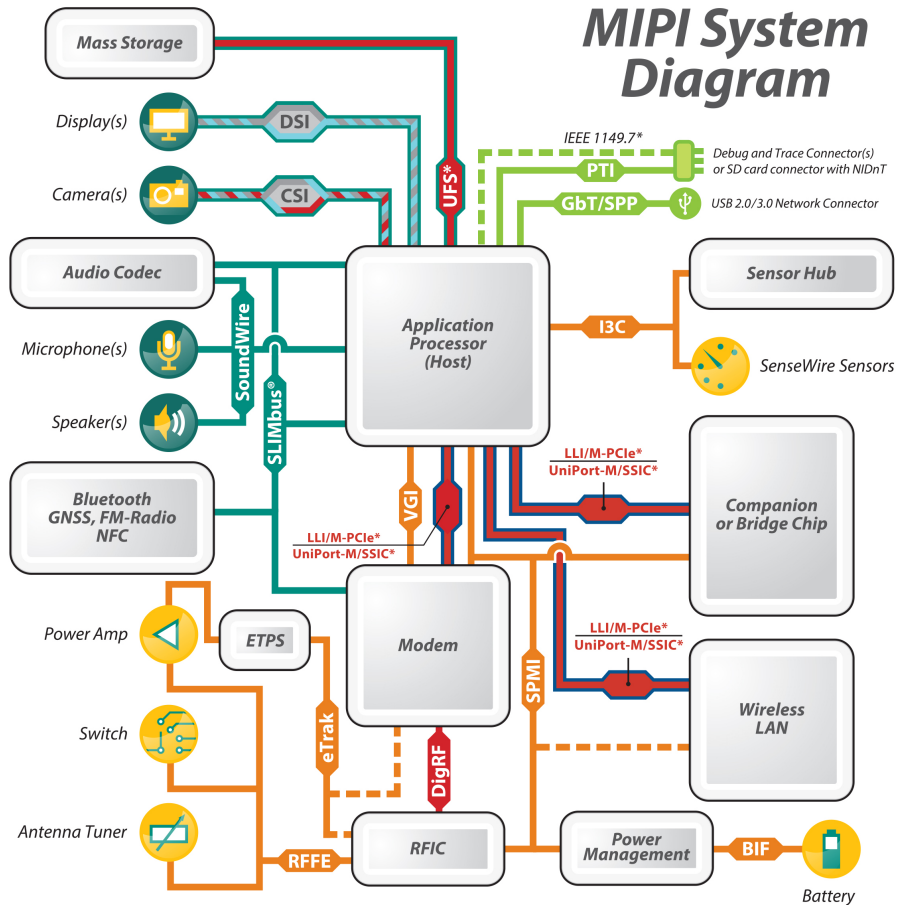


Active MIPI Alliance Working Groups

- Camera
- Debug
- Display
- Low Latency Interface
- Low Speed Multipoint Link (New - SoundWireSM)
- Marketing
- PHY (C / D / M)
- Reduced Input Output (RIO) (New)
- Sensor / I3CSM (New)
- Software (New)
- Technical Steering Group
- Test
- **UniProSM**



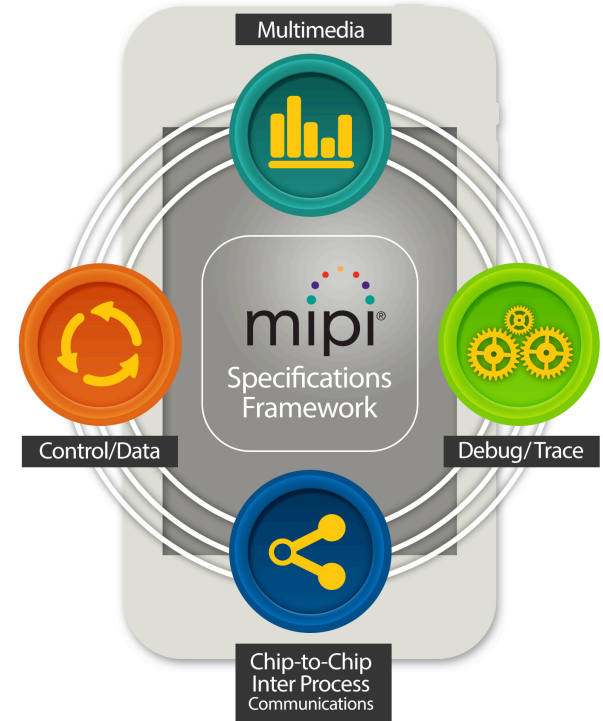
MIPI System Diagram



mi^{pi}alliance

* The UFS (Universal Flash Storage) specification from JEDEC, the SSIC (SuperSpeed Inter Chip) specification from USB-IF, and the M-PCIe (Mobile PCI Express) specification from PCI-SIG* all use the MIPI M-PHY physical layer.

* UFS (Universal Flash Storage) specification is available from JEDEC and uses the MIPI UniPort-M. SLIMbus® and M-PHY® are registered trademarks of MIPI Alliance. All other MIPI specifications are service marks of MIPI Alliance.





Recent Announcements

- 29 October 2015 - [MIPI Alliance Introduces a Family of MIPI Gigabit Debug Interface Specifications for Mobile and Mobile-Influenced Designs](#)
- 12 August - [MIPI Alliance Releases New MIPI M-PHY v4.0 Specification, Achieving a Peak Transmission Rate of Nearly 12 Gbps](#)



The Future of MIPI – Beyond Mobile

- Mobile influences **everything**
- Everything gets faster, smaller and lower power
 - MIPI will continue to evolve specs to take advantage of the evolution of technology in mobile devices





11 Nov. 2015 - MIPI Member Webinar MIPI UniPort-M Integrating the M-PORT into UniPro

- Facilitator

Peter Lefkin – Managing Director,
MIPI Alliance

- Presenter

Jürgen Urban – Chairman, MIPI
UniPro Working Group



Contact

- Slide set available under:
 - Public site - <http://mipi.org/learning-center/webinars>
 - Members site open to all members - <https://members.mipi.org/wg/Marketing/document/folder/5737>
- In case of further questions/feedback:
 - UniPro-questions@mipi.org (Adopters)
 - bugzilla@mipi.org (Contributors)



Agenda

- Definitions and Conventions
- M-PHY SAP mapping to RMMI
- Intra LANE timings
- UniPort_M intra SUB-LINK timings
- UniPort_M LINK timings
- Q&A



DEFINITIONS AND CONVENTIONS



Disclaimer

- This Webinar lays out the UniPro WG perspective on M-PHY integration
 - Other protocols using M-PHY may look at a different angle towards M-PHY integration
 - Discussion baseline: UniPro v1.6x + M-PHY v3.x
- This Webinar discusses implementations
 - It does not claim or intend to deliver universal implementation truths
 - Other solutions/interpretations conformant with both, M-PHY and UniPro specification may rightfully exist
 - In case of contradictions/ambiguities the spec prevails



LANE Categorization

	physical implementation	LSS	Connection state after LSS	Lane state after LSS	M-PHY state	Comment
Data Lane	physical Lane	LINK STARTUP	logical Lane			
	unavailable Lane		N/A	N/A	N/A	PHY is physically not implemented, DME or PACP access results in BAD_INDEX Error
	available Lane		unconnected Lane	off (Off_Mode)	unpowered	PHY is physically implemented and can be accessed during LINKDOWN and LSS. UniPro fails to establish a peer connection during LSS. <i>When in OFF_STATE, the response to DME or PACP access is undefined in v1.61, suggestion to use BAD_INDEX</i>
	Count in PA_AvailTxDataLanes and PA_AvailRxDataLanes		connected Lane	inactive/unused (Hibernate_Mode)	HIBERN8	no count in PA_ActiveTxDataLanes or PA_ActiveRxDataLanes
			Count in PA_ConnectedTxDataLanes and PA_ConnectedRxDataLanes	inactive, unused Lane, dummy burst (LinkCfg)	ACTIVATED, LINE-RESET, (LINE-CONFIG)	no de-skew symbol, skip patterns, scrambling, dummy payload, no count in PA_ActiveTxDataLanes or PA_ActiveRxDataLanes
			Count in PA_ActiveTxDataLanes and PA_ActiveRxDataLanes	active/used Lane (FastMode, SlowMode, FastAuto_Mode, SlowAuto_Mode, Hibernate_Mode).	ACTIVATED, HIBERN8	de-skew symbol, data traffic, skip patterns, scrambling.

Red Text: Terminology used in UniPro v1.6x

Blue Text: Terminology used in M-PHY v3.x

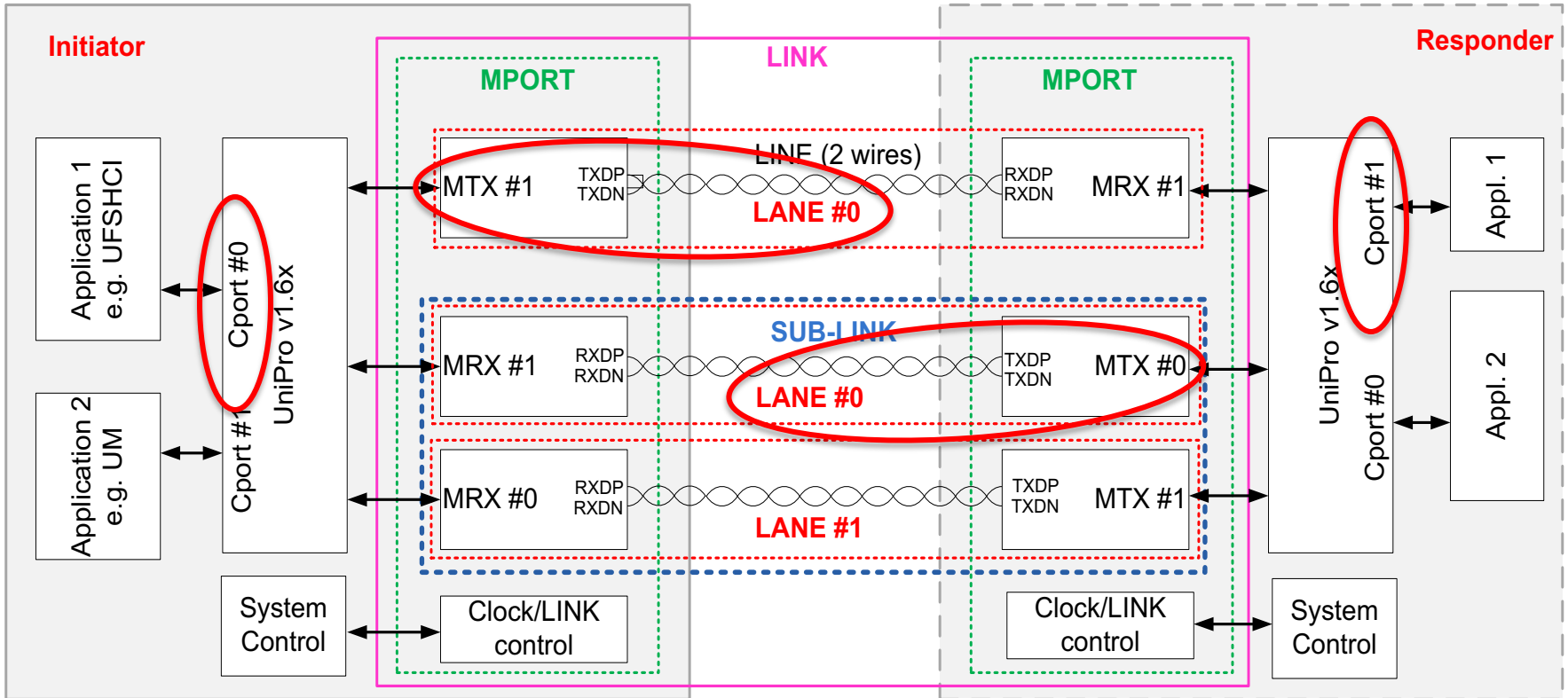


Dummy BURST

- Dummy Bursts are used during PACP_PWR_req traffic to configure inactive Lanes in synchronization with potentially attached Media Converters
 - During PACP_PWR_req a BURST or a dummy BURST is started on all connected LANES
 - The peer M-RX ignores Dummy BURSTS
 - Dummy Bursts are not part of the MK0, MK1 Lane deskew.
 - Dummy Bursts, however, follow entirely the M-PHY spec (they require prepare/sync period, MK0 and TOB)
 - Dummy Bursts are scrambled, if requested



LINK Terminology



We use the Link terminology found in M-PHY spec.

Note: The UniPro spec does not know SUB-LINKs, they are called LINK there.



Logical Lane versus physical Lane

- Logical Lane numbering does typically not match w/ physical Lane numbering
 - M-POR clocking is primarily driven by state of logical LANE #0
 - M-POR needs to know LANE mapping from UniPro to derive the necessary M-PHY clocking
- Alternatively:
 - Application may restrict arbitrary PCB routing
 - Logical Lane is always identical to physical Lane



LINECFG

- LINE-CFG is used for Media Converters
- UniPro v1.41:
 - M-PHY LINECFG implementation and use is mandated
- UniPro v1.6x:
 - M-PHY LINECFG implementation is mandated (for backward compatibility w/ v1.41)
 - M-PHY LINECFG use is not mandated, left to the **application** to decide.
 - M-RX must be able to tolerate a LINECFG sequence, i.e. re-sync to SLEEP/STALL at DIF-N
 - If PA_Local_TX_LCC_Enable=0, there is no expectation that the M-TX ever emits LINECFG.



M-PHY SAP MAPPING TO RMMI

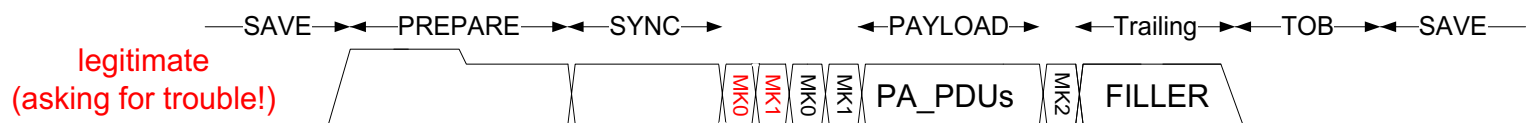
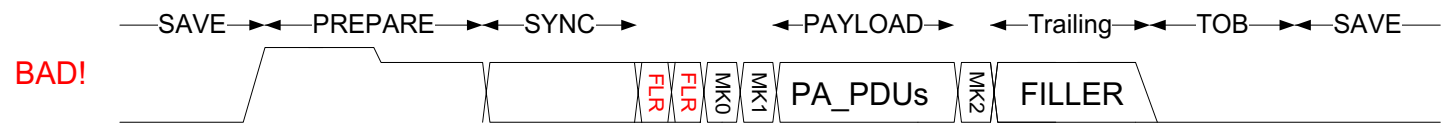
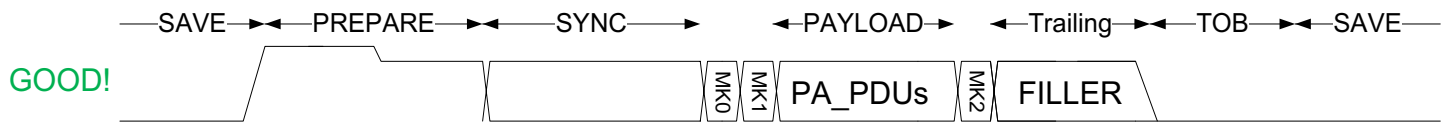


M-TX DATA SAP and RMMI

M-PHY SAP		RMMI Mapping	Reference clocking	Comment
M-LANE-SYMBOL	request	TX_ProtDORDY; TX_Symbol ; TX_DataNCtrl	TX_SymbolClk	The UniPro stack should issue changes to TX_ProtDORDY on the same clock cycle for all active Lanes in a multi-LANE LINK. Failing to synchronize TX_ProtDORDY leads to errors in the PA_PDU lane distribution and merging
M-LANE-SYMBOL	confirm	TX_ProtDORDY && TX_PhyDIRDY	TX_SymbolClk	TX_PhyDIRDY signals only readiness of the M-TX to receive data from the stack. Only in conjunction with TX_ProtDORDY the UniPro stack interprets a confirm and advances to the next Symbol data. In a multi-LANE LINK, the UniPro stack must receive (TX_ProtDORDY && TX_PhyDIRDY) on all M-TX LANES at the same time for not breaking the PA_PDU Lane distribution
M-LANE-PREPARE	request	rising edge (TX_Burst)	TX_SymbolClk	
M-LANE-PREPARE	confirm	rising edge (TX_SaveState_Status_N) after rising edge (TX_Burst)	TX_SymbolClk	
M-LANE-SYNC	request	unused in UniPro		UniPro uses the M-TX generated default SYNC pattern
M-LANE-SYNC	confirm	unused in UniPro		UniPro uses the M-TX generated default SYNC pattern
M-LANE-BurstEnd	request	falling edge (TX_Burst)	TX_SymbolClk	
M-LANE-BurstEnd	confirm	no mapping in RMMI	TX_SymbolClk	M-LANE-BurstEnd.confirm cannot be represented using TX_SaveState_Status_N as entry into LINE-CFG separates the two events. It cannot be represented as a function of the falling edge of TX_Burst, as the M-PHY adds BurstClosure extension in PWM traffic.
M-LANE-SaveState	indication	falling edge (TX_SaveState_Status_N)	TX_SymbolClk	There is no direct mapping into RMMI. M-LANE-SaveState.indication indicates entry into SLEEP or into STALL state but does not indicate entry into HIBERN8. TX_SaveState_Status_N is a level sensitive signal indicating also also a HIBERN8 state.



M-TX SYMBOL RMMI mapping



	31	e.g. PA_PDU #2		RMMI	PA_PDU #0		0
TX_Symbol[31:0]	MARKER1	MARKER0	FILLER	FILLER	FILLER	FILLER	
TX_ProtDORDY[3:0]	1	1	0	0	0	0	

M-TX needs to transform this into SYNC!



M-RX DATA SAP and RMMI

M-PHY SAP		RMMI Mapping	Reference clocking	Comment
M-LANE-SYMBOL	indication	RX_Symbol; RX_SymbolErr; RX_DataNCtrl; RX_PhyDORDY;	RX_SymbolClk	
M-LANE-PREPARE	indication	rising edge (RX_Burst)	RX_SymbolClk	rising edge means synchronous edge detection
M-LANE-BurstEnd	indication	falling edge (RX_Burst)	RX_SymbolClk	falling edge means synchronous edge detection
M-LANE-HIBERN8Exit	indication	rising edge (RX_Hibern8Exit_Type_I)	Async	At the time of exit from HIBERN8, there is typically no RX_SymbolClk available. The asynchronous signal may be used to switch on RX_SymbolClk at system level. The UniPro protocol may then use a sampled version of this RMMI signal
<i>M-LANE-MRXSaveState</i> indication	indication	No representation in the RX_SymbolClk domain, fallback solution: falling edge (RX_CfgRdyN) after falling edge (RX_Burst)	RX_CfgClk	There is no corresponding representation of this M-RX Data SAP in RMMI. The end of a BURST indicated by M-LANE-BurstEnd.indication may differ substantially from M-LANE-SaveState.indication in case of running through LINE-CFG or in case of a long PWM Tail-of-Burst. It is assumed the M-RX keeps RX_CfgRdyN high during TOB and LINE-CFG and asserts it to low only, when entering SAVE state



M-TX CTRL SAP and RMMI

M-PHY SAP		RMMI Mapping	Reference clocking	Comment
M-CTRL-CFGGET	request	\sim TX_AttrWRn & TX_CfgEnbl	TX_CfgClk	
M-CTRL-CFGGET	confirm	if (TX_Burst==0): first cycle of (TX_CfgRdyN==0) after TX_CfgEnbl if (TX_Burst==1): N/A	TX_CfgClk	There is no mandate for an M-Phy to implement TX_CfgRdyN = High after M-CTRL-CFGGET.request
M-CTRL-CFGSET	request	TX_AttrWRn & TX_CfgEnbl	TX_CfgClk	
M-CTRL-CFGSET	confirm	if (TX_Burst==0): first cycle of (TX_CfgRdyN==0) after TX_CfgEnbl if (TX_Burst==1): N/A	TX_CfgClk	There is no mandate for an M-Phy to implement TX_CfgRdyN = High after M-CTRL-CFGSET.request
M-CTRL-CFGREADY	request	TX_CfgUpdt	TX_CfgClk	Usually only during TX_BURST==1, exception: TX_HIBERN8_Control
M-CTRL-CFGREADY	confirm	first cycle of (TX_CfgRdyN==0) after M-CTRL-CFGREADY.request	TX_CfgClk	During BURST TX_CfgRdyN is always high. The confirm is postponed until after the M-TX enters SAVE state and executes RCT.
M-CTRL-RESET	request	TX_Reset	TX_CfgClk	
M-CTRL-RESET	confirm	falling edge (TX_CfgRdyN) after TX_Reset	TX_CfgClk	falling edge means synchronous edge detection
M-CTRL-LINERESET	request	TX_LineReset	TX_CfgClk	
M-CTRL-LINERESET	confirm	falling edge (TX_CfgRdyN) after TX_LineReset	TX_CfgClk	falling edge means synchronous edge detection
N/A		TX_InLnCfg (unused, legacy)	TX_CfgClk	No M-TX CTRL SAP representation exists for this RMMI signal. UniPro does not use this signal, the corresponding M-PHY input should be clamped to appropriate values.
N/A		TX_DIFNDrive (optional)	TX_CfgClk	No M-TX CTRL SAP representation exists for this RMMI signal. However, UniPro needs to control this signal, if the M-TX transmitter can drive a weak DIF-N with RSE_po termination
N/A		TX_Controlled_ActTimer (unused)	constant 0	No M-TX CTRL SAP representation exists for this RMMI signal. UniPro does not use this signal, the corresponding M-PHY input should be set to 0.



M-RX CTRL SAP and RMMI

M-PHY SAP		RMMI Mapping	Reference clocking	Comment
M-CTRL-CFGGET	request	~RX_AttrWRn && RX_CfgEnbl	RX_CfgClk	
M-CTRL-CFGGET	confirm	if (RX_Burst==0): first cycle of (RX_CfgRdyN==0) after M-CTRL-CFGGET.request if (RX_Burst==1): N/A RX_AttrRdCnf (optional)	RX_CfgClk	There is no mandate for the M-PHY to de-assert (High Level) RX_CfgRdyN after an M-CTRL-CFGGET.request.
M-CTRL-CFGSET	request	RX_AttrWRn && RX_CfgEnbl	RX_CfgClk	
M-CTRL-CFGSET	confirm	if (RX_Burst==0): first cycle of (RX_CfgRdyN==0) after M-CTRL-CFGSET.request if (RX_Burst==1): N/A	RX_CfgClk	There is no mandate for the M-PHY to de-assert (High Level) RX_CfgRdyN after an M-CTRL-CFGSET.request.
M-CTRL-CFGREADY	request	RX_CfgUpdt	RX_CfgClk	
M-CTRL-CFGREADY	confirm	first cycle of (RX_CfgRdyN==0) after M-CTRL-CFGREADY.request	RX_CfgClk	During BURST, RX_CfgRdyN is always high, the confirm is postponed until after the M-RX enters SAVE state and executes RCT
M-CTRL-RESET	request	RX_Reset	RX_CfgClk	
M-CTRL-RESET	confirm	falling edge (RX_CfgRdyN) after falling edge (RX_RESET)	RX_CfgClk	
M-CTRL-LINERESET	indication	falling edge(RX_CfgRdyN) after falling edge(RX_LineReset)	RX_CfgClk	
N/A		RX_InLnCfg	constant	No SAP representation for this optional RMMI signal. UniPro does not use this signal
M-CTRL-LCCReadStatus	indication	RX_LCCRdDet	RX_CfgClk	Exists only, if LINE-CFG is implemented



UniPro Configuration of M-PORT

- PA Layer:
 - M-PHY attributes requiring synchronization between local and peer are changed under PA Layer control
 - Only during an open BURST
 - Exception: Configuring the exit from HIBERN8
 - UniPro Protocol ensures that TX BURST and RX BURST stay open during configuration.
- Application:
 - M-PHY attributes requiring no synchronization
 - Configuration at any time
 - M-CTRL-CFGREADY.request must be generated by a DME_POWERMODE.req

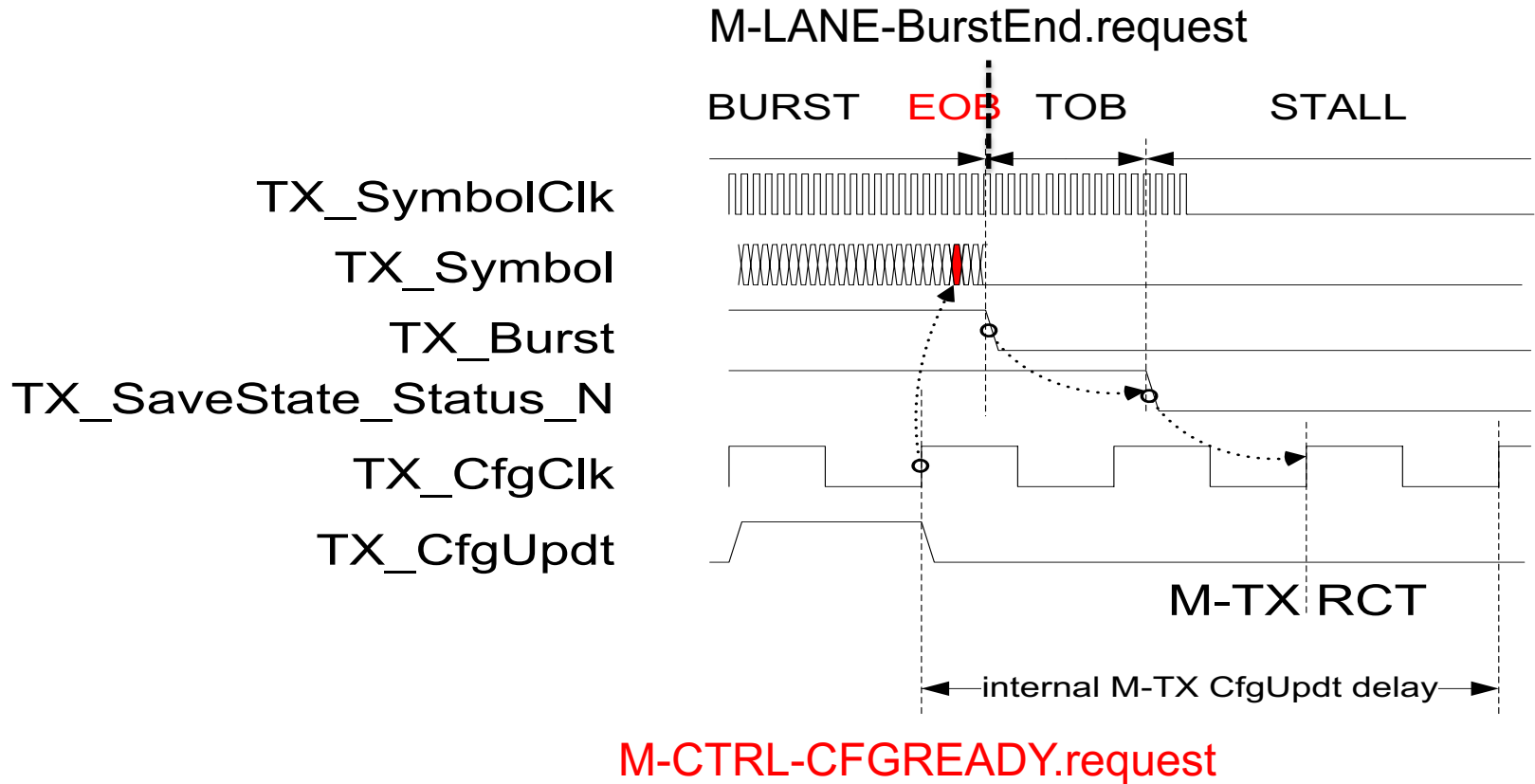


UniPro Configuration sequence of M-TX during BURST

- M-LANE-PREPARE.request
 - M-LANE-PREPARE.confirm
- M-LANE-SYMBOL.request (MK0,CTRL)
 - M-LANE-SYMBOL.confirm
- Multiple M-CTRL-CFGSET.request
 - No M-CTRL-CFGSET.confirm (!)
- **Single M-CTRL-CFGREADY.request**
- M-LANE-SYMBOL.request (MK2, CTRL)
 - M-LANE-SYMBOL.confirm
- M-LANE-BurstEnd.request
 - M-LANE-BurstEnd.confirm
 - RCT
 - **M-CTRL-CFGREADY.confirm**



Potential Pitfall: race condition between M-TX DATA and M-TX CTRL SAP





UniPro Configuration sequence of M-RX during BURST

- M-LANE-PREPARE.indication
 - M-LANE-SYMBOL.indication (MK0,CTRL)
 - Multiple M-CTRL-CFGSET.request
 - No M-CTRL-CFGSET.confirm (!)
 - **Single M-CTRL-CFGREADY.request**
 - **M-LANE-SYMBOL.request (MK2, CTRL)**
 - M-LANE-SYMBOL.confirm
 - **M-LANE-BurstEnd.request**
 - M-LANE-SYMBOL.indication (MK2, CTRL)
 - M-LANE-BurstEnd.indication
 - RCT
 - **M-CTRL-CFGREADY.confirm**
- } M-TX

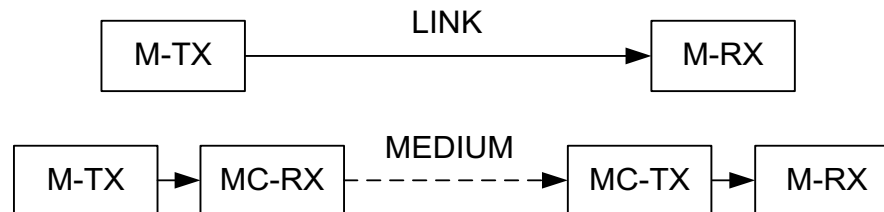


INTRA LANE TIMINGS



Intra Lane setup

- In the following diagrams, one complete LANE is shown, local M-TX to peer M-RX

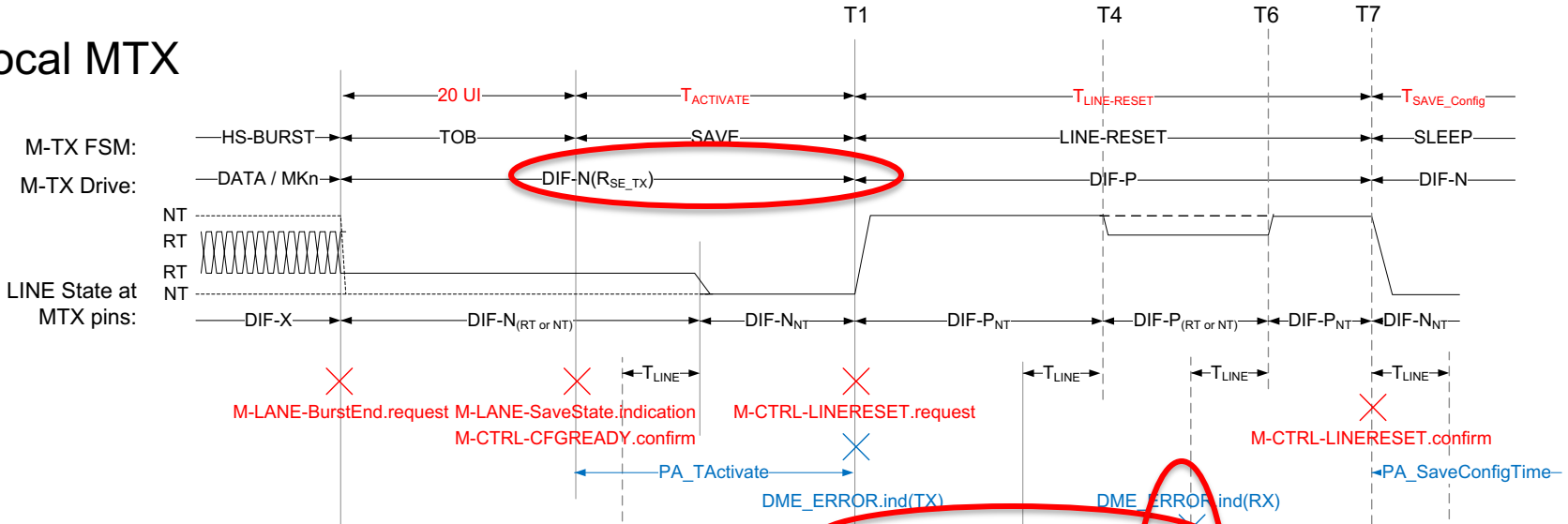


- Only the most critical timings are shown
- SAP timings are ideal!
 - SAP.indication are signalled delayed on RMMI
 - SAP.confirm are signalled delayed on RMMI
 - SAP.request cause delayed responses inside M-PHY

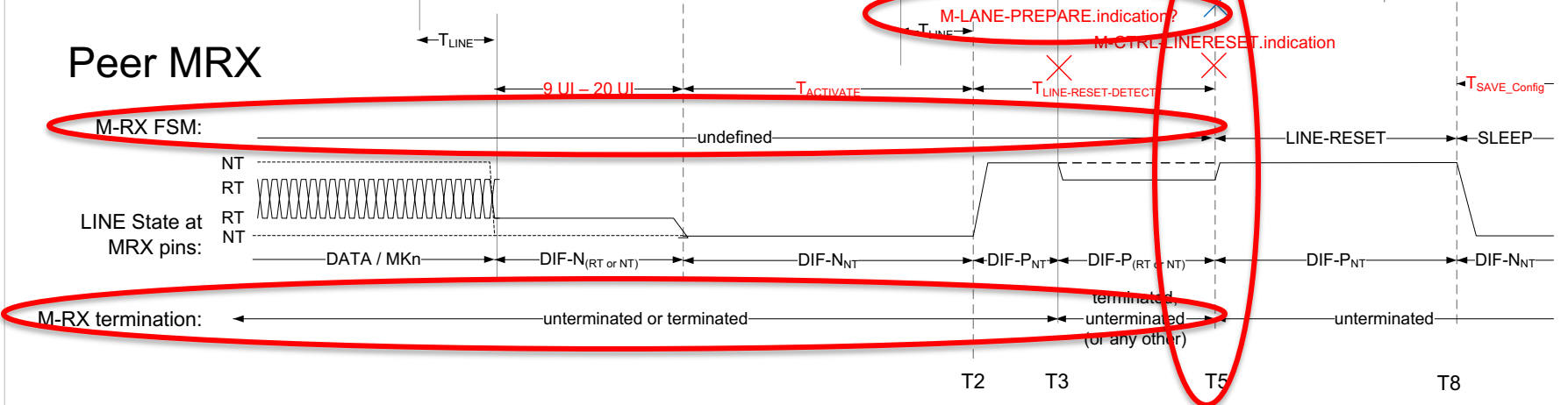


HS-BURST to LINE-RESET

Local MTX

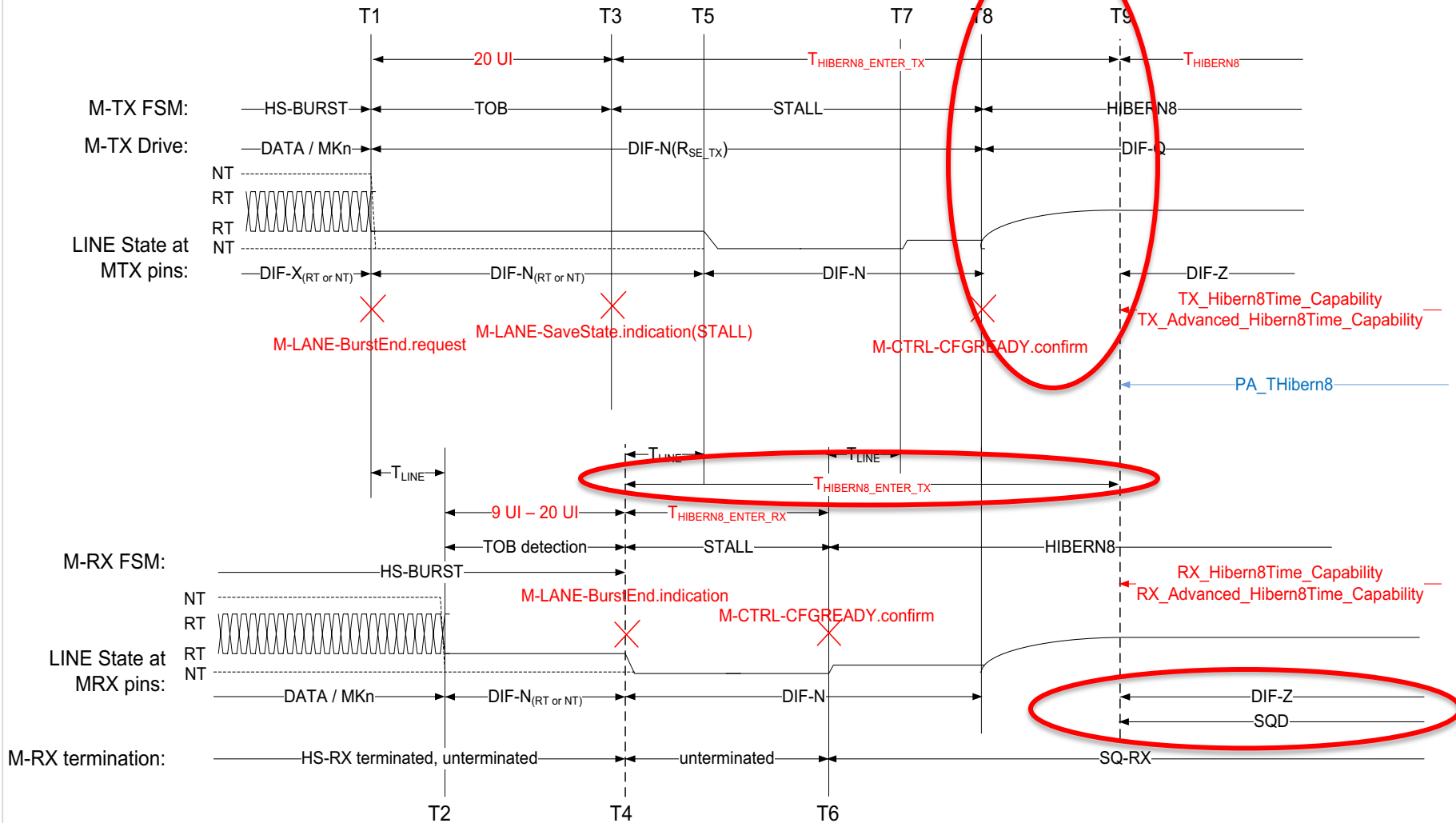


Peer MRX



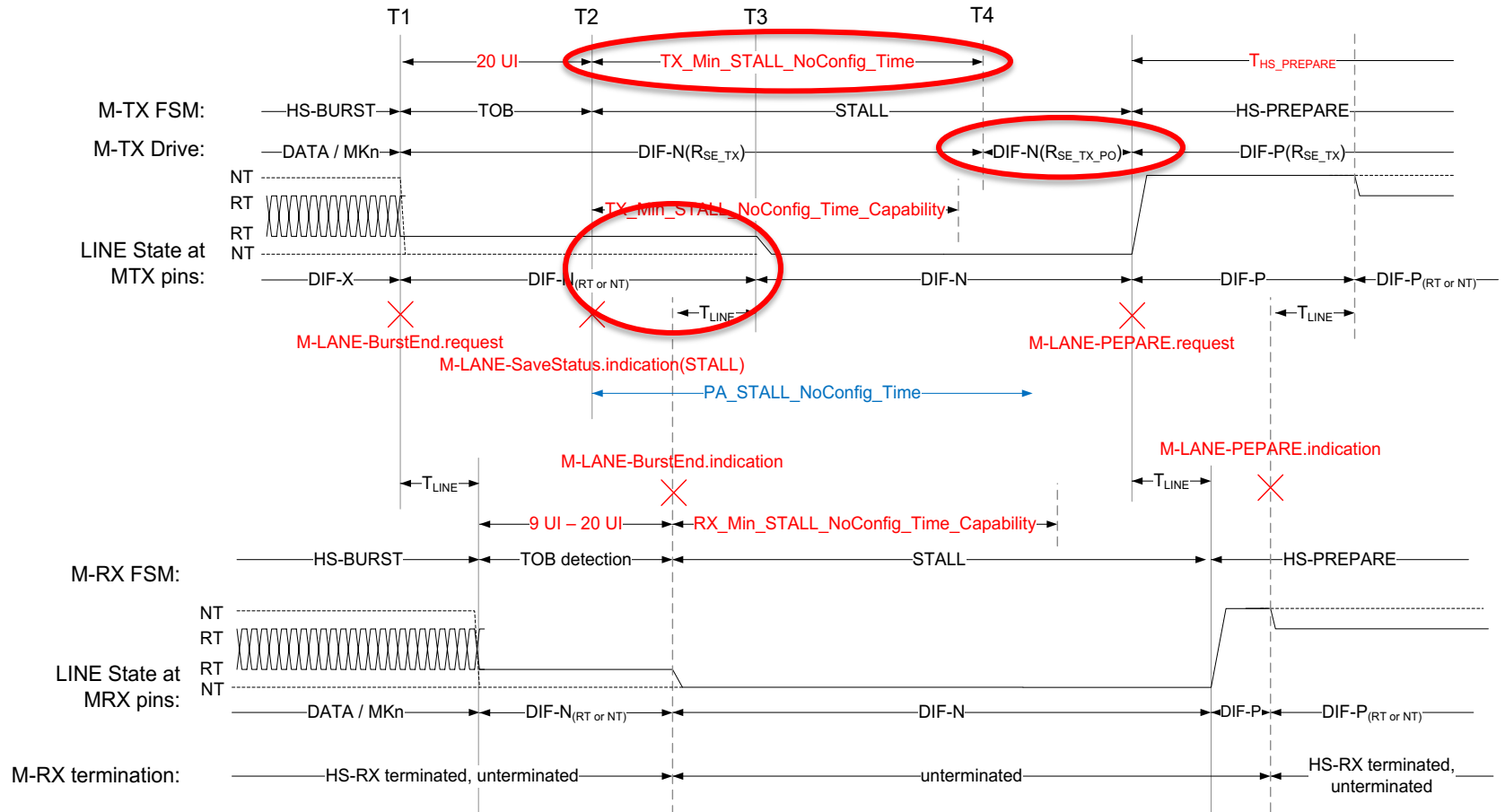


HS-BURST to HIBERN8



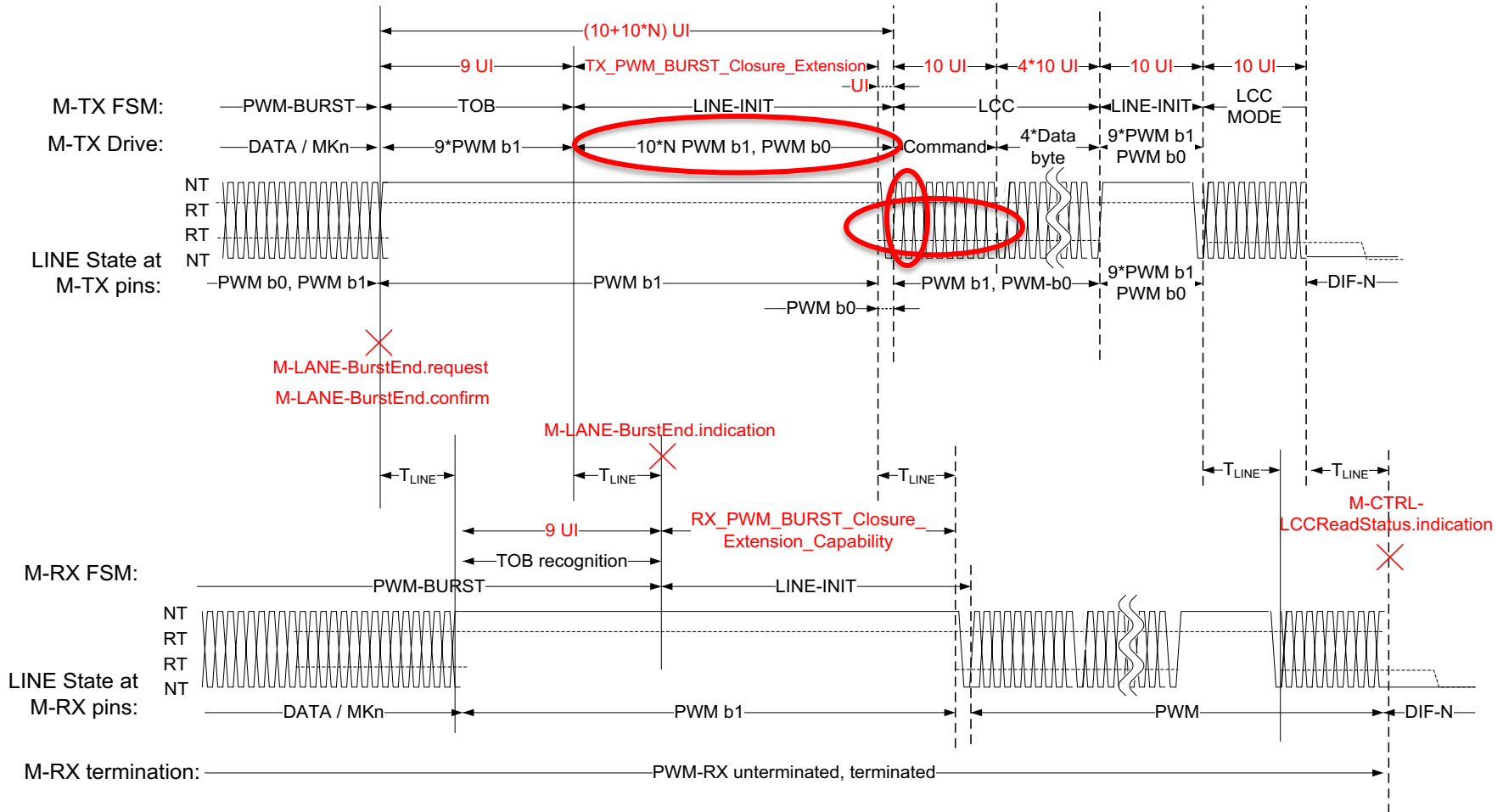


HS-BURST to STALL, no Config





PWM-BURST to LINECFG



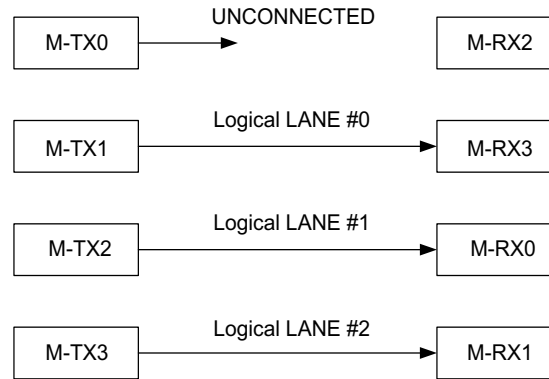


UNIPOINT-M INTRA SUB-LINK TIMINGS

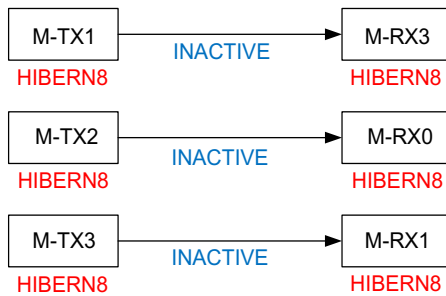


SUB-LINK connection example

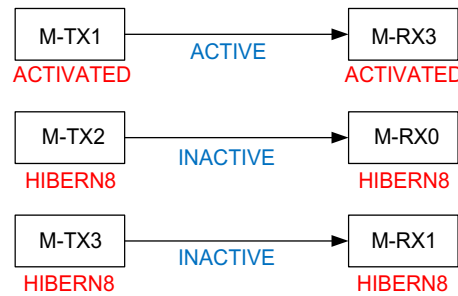
SUB-LINK example



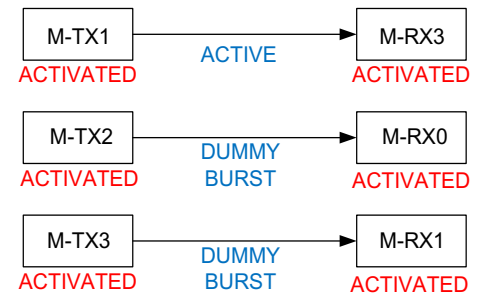
UniPro: HIBERNATE



UniPro: LINKUP on 1 LANEs



UniPro: LINK-CFG



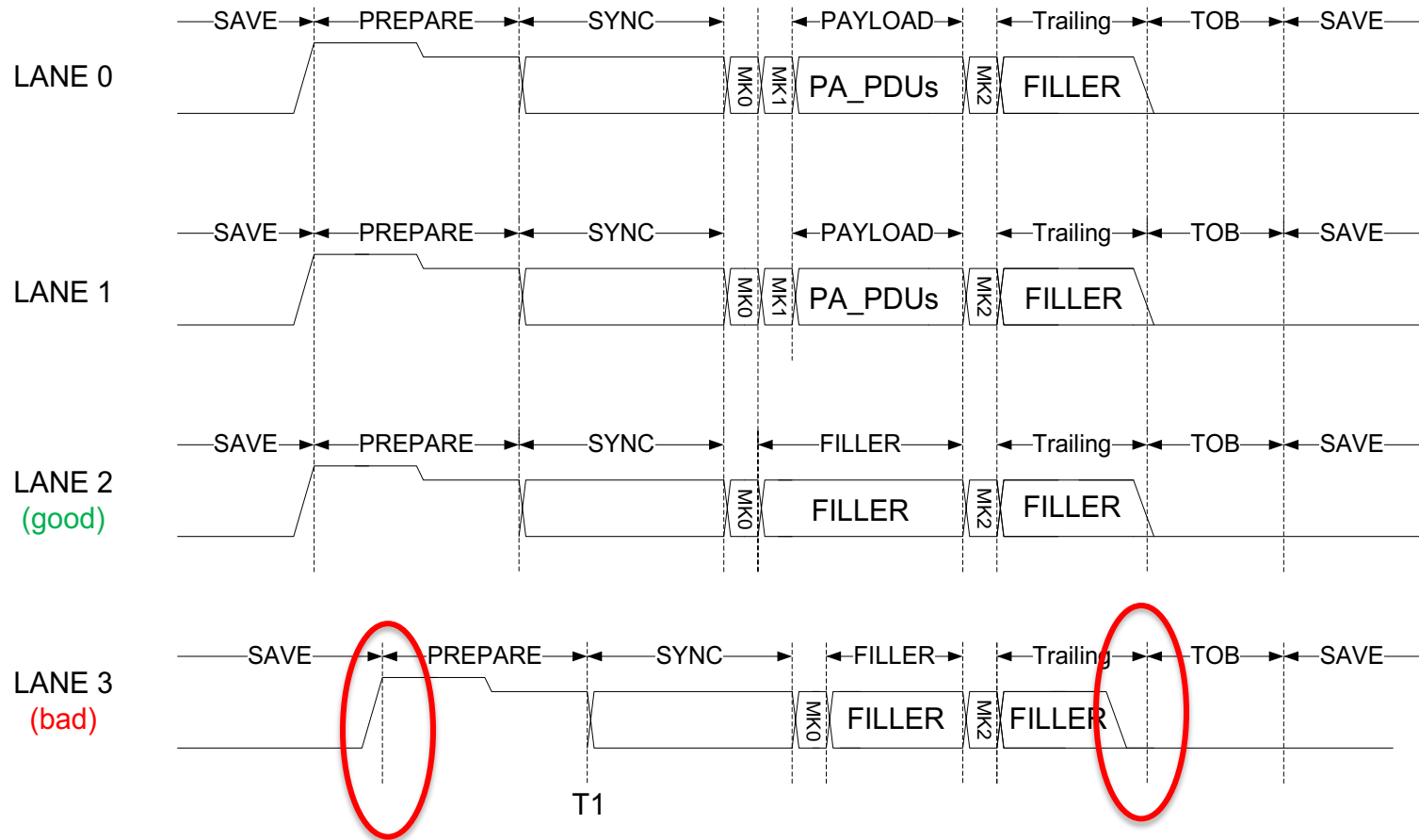


SUB-LINK management

- M-PHY attributes of all Lanes should be kept consistent at all times
 - May want to combine the attribute banks of all Lanes in a SUB-LINK
 - M-TX-CTRL SAP may be shared for SUB-LINK
 - M-RX-CTRL SAP may be shared for SUB-LINK
- Exception:
 - TX_DRIVER_POLARITY
 - TX_HIBERN8_Control
 - TX_HS_Equalizer_Settings
 - RX_Enter_HIBERN8

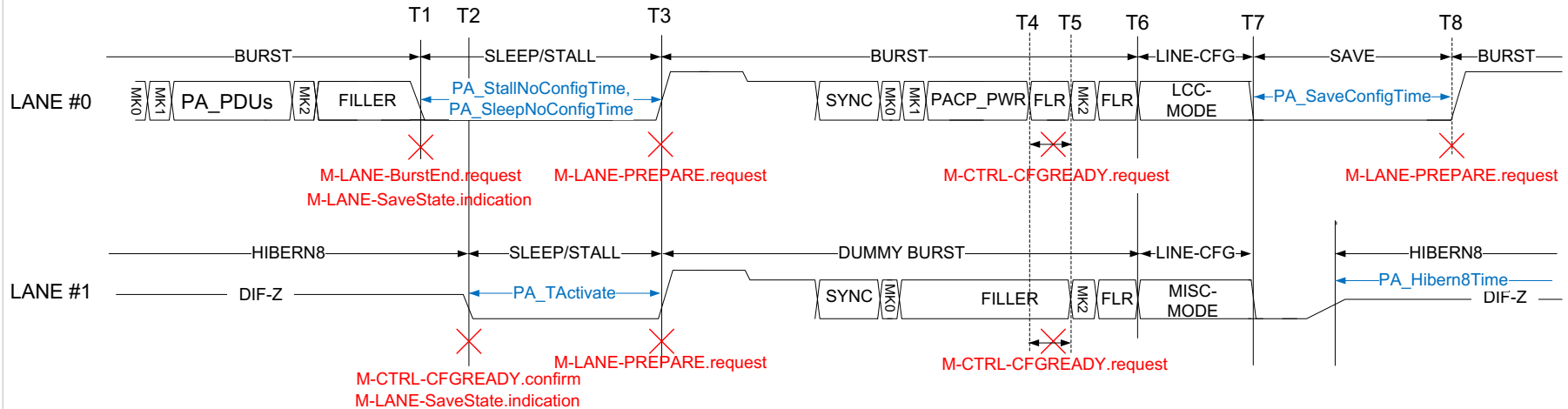


Lane Alignment





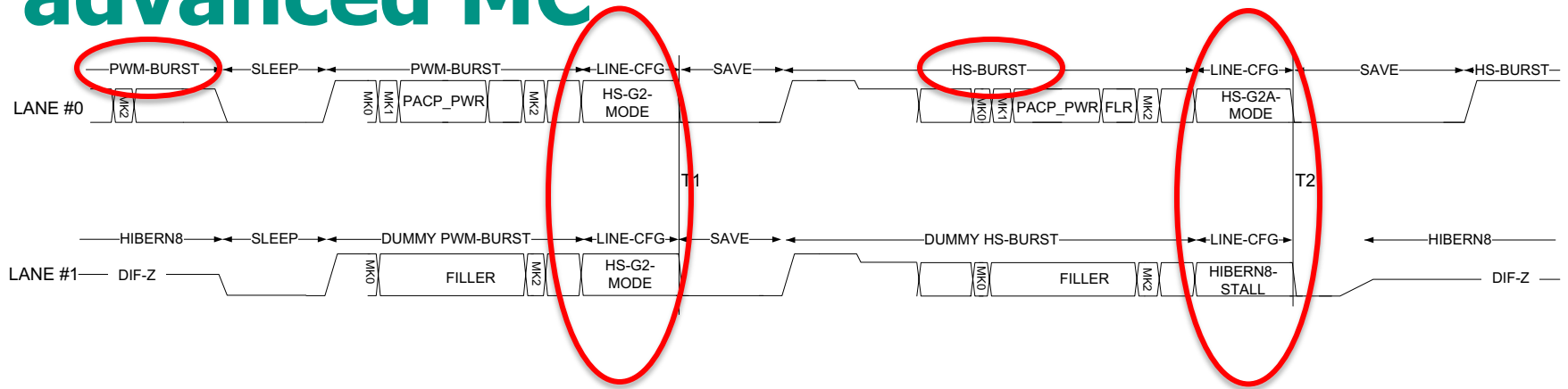
Powermode change w/ dummy BURST



- Same waveform for PACP_PWR_req and PACP_PWR_cnf
- Signal integrity:
 - LANE #1 enters/exits HIBERN8, when LANE #0 is in SAVE state
 - BURST and DUMMY BURST start and stop at same time
- LCC-MODE can either enter HIBERN8 or change Powermode, but not both at the same time



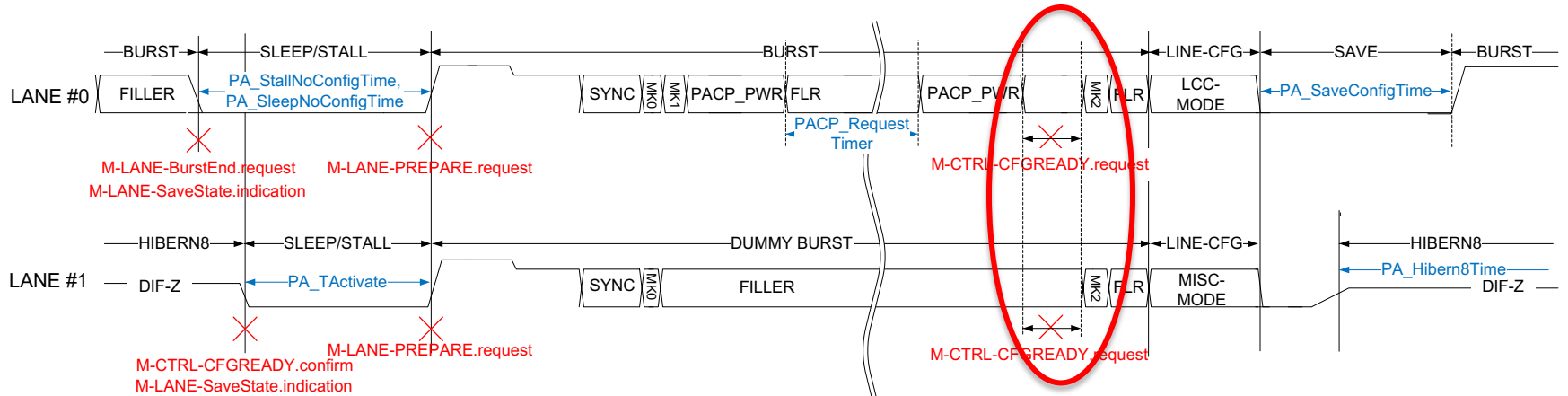
Powermode change w/ advanced MC



- Need two Powermode changes in a row:
 - 1st change activates all connected LANEs into desired GEAR and MODE
 - 2nd change de-activates unused LANEs into HIBERN8



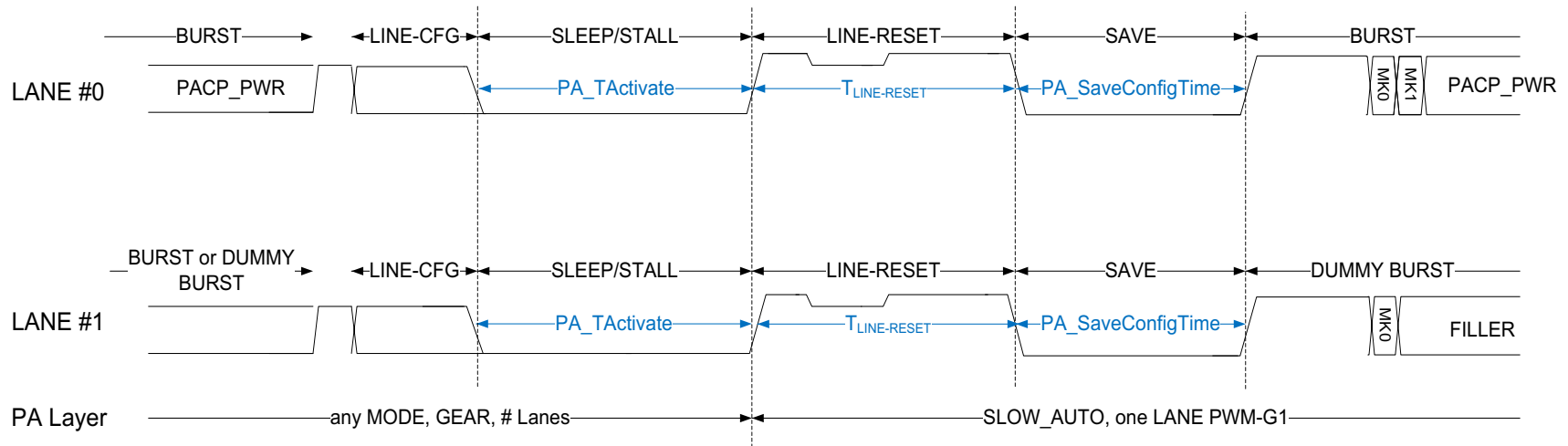
PACP_PWR_req with retry



- PACP_PWR_cnf (PWR_OK) only after second PACP_PWR_req
- During PACP_retry, the BURST must be kept open
- M-TX is configured only once even with retry



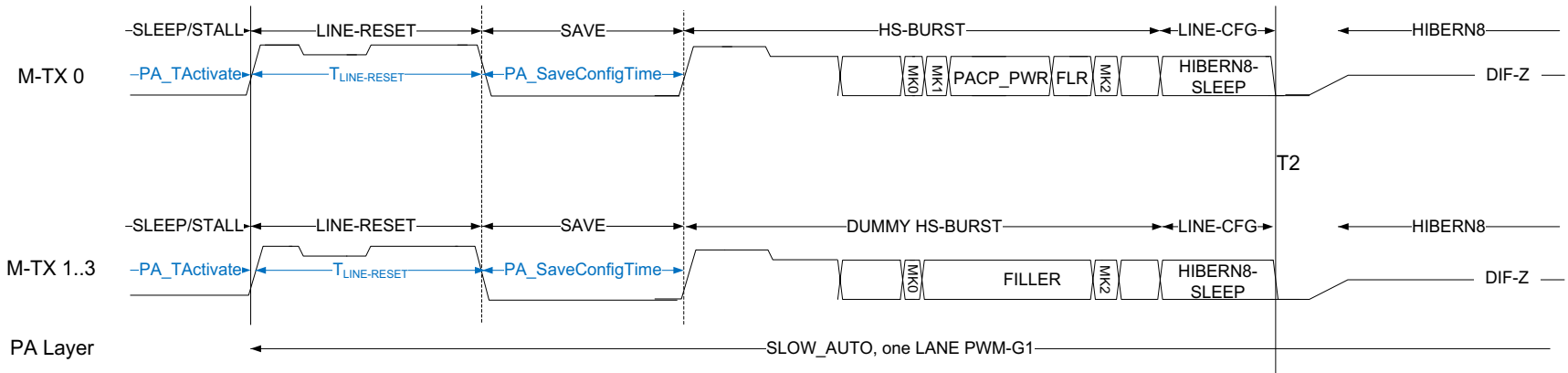
LINE-RESET in LINKUP after unsuccessful PACP_PWR_req



- Before LINE-RESET, all LANEs are either ACTIVATED or run a DUMMY BURST, no need to wake up from HIBERN8
- After LINE-RESET, LANE #0 is ACTIVATED in PWM-G1, all other LANEs run Dummy BURST in PWM-G1



Entry into HIBERN8 after LINE-RESET



- LINE-RESET sends LINK into PWM-G1
- After exit from HIBERN8 the LINK is still in that MODE and GEAR and Application needs to re-program into desired GEAR
 - Check consequences for Application Auto Hibernate!



Scrambling in HS-MODE

- Scrambling is difficult to debug
 - Test equipment re-synchronizes scrambler on a SYNC symbol (MK0, MK1)
 - UniPro implementation should be able to insert periodical (MK0, MK1) for debug purposes
 - Via DME_POWERMODE.req(unchanged, unchanged)
 - Via any other implementation specific mechanism
- Scrambling should include FLR sequence after MK2



UNIPORT-M LINK

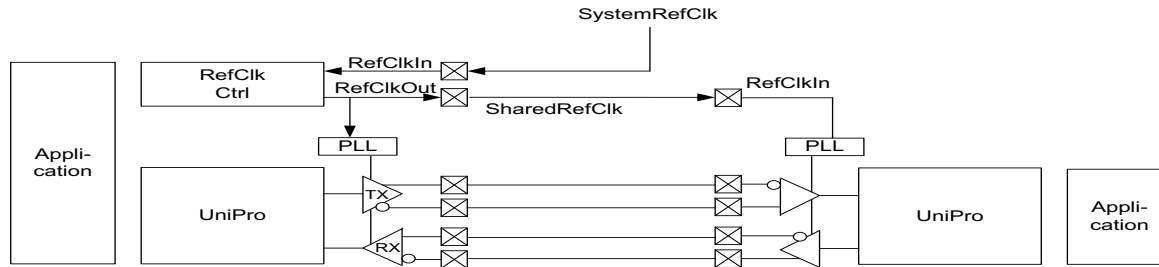


Shared RefClk

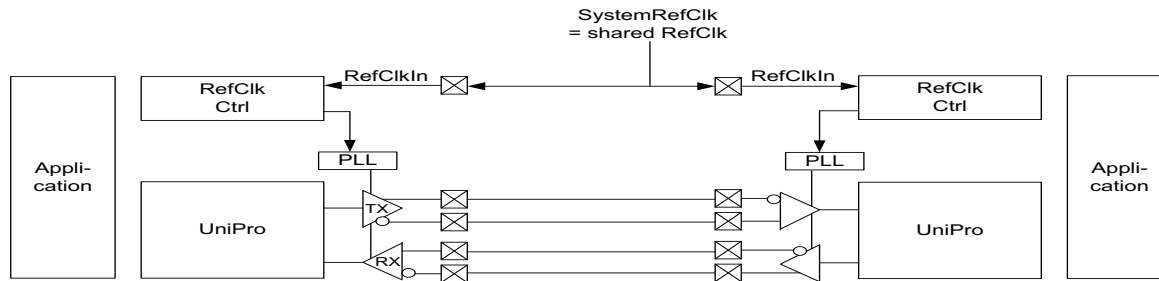
- UniPort_M does not define the frequency of the Shared RefClk
 - Application should do!
- Application may program RefClk frequency into peer before changing to HS-MODE
- M-PHY architectures requiring a shared reference clock need
 - RX_REF_CLOCK_SHARED_Capability=1 or/and
 - TX_REF_CLOCK_SHARED_Capability=1



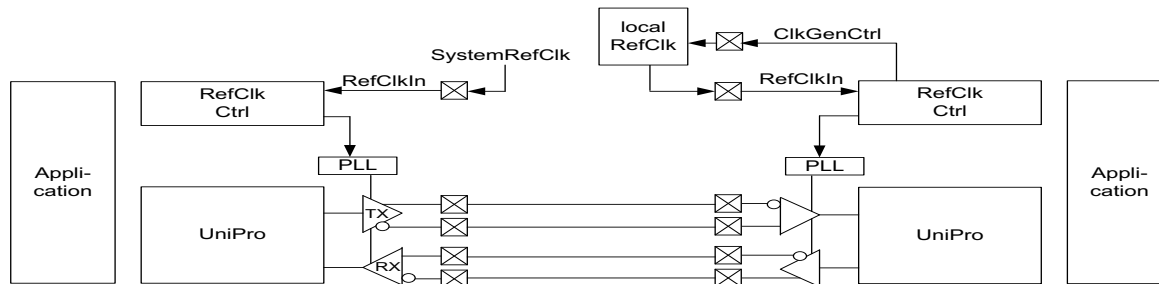
Clocking concepts, examples



a) Host Controlled Shared RefClk



b) System Generated Shared RefClk



c) Locally Generated RefClk, no Sharing

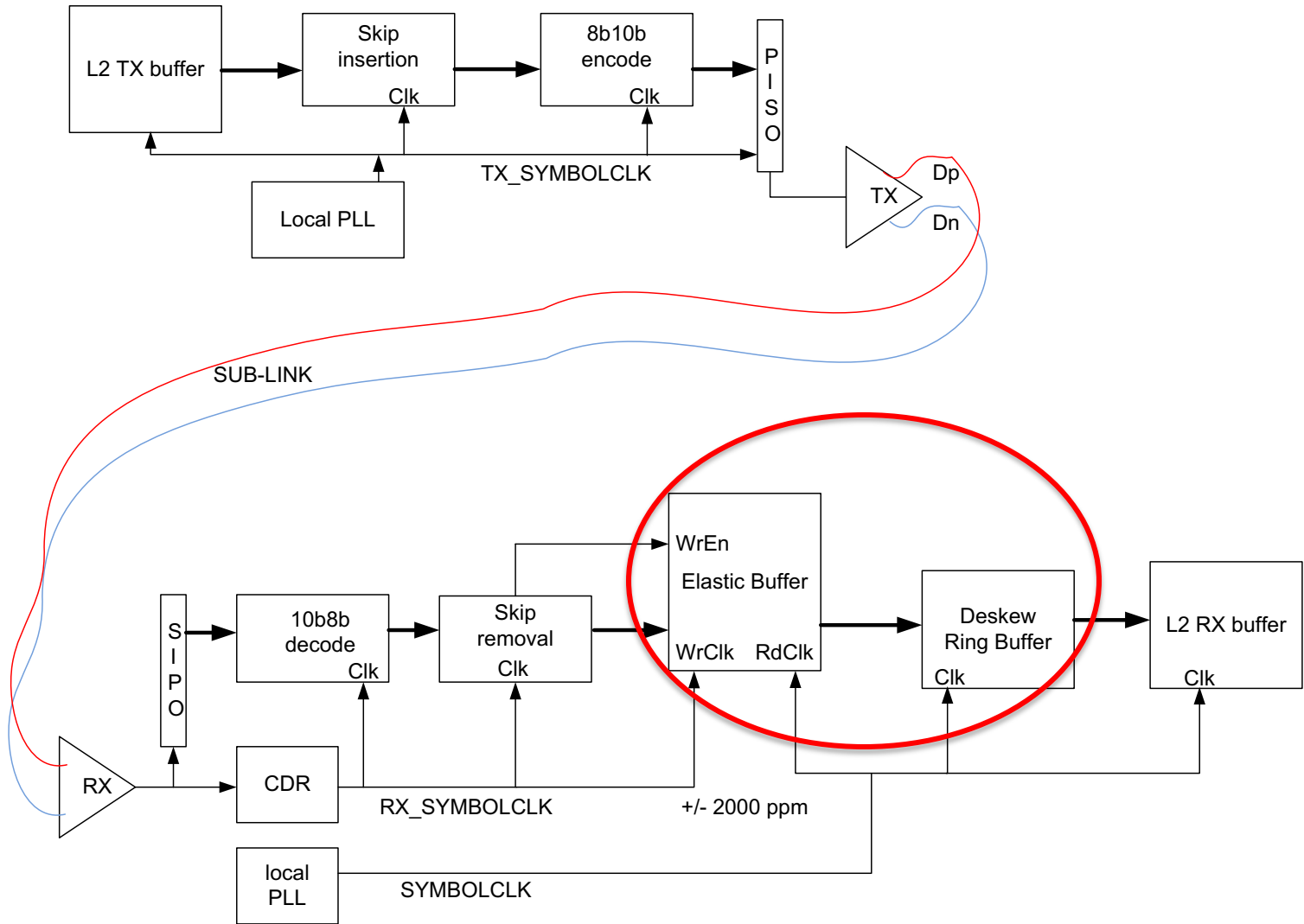


Shared RefClk switching recommendations

- RefClk is mandatory during HS-MODE
- Switching is Application Controlled
- RefClk shall be switched on:
 - Before DME_HIBERNATE_EXIT.req into HS-MODE
 - Before DME_POWERMODE.req into HS-MODE
- RefClk should be switched off after
 - DME_HIBERNATE_ENTER.ind (after delay)



Skip architecture





Purpose of SKIP architectures

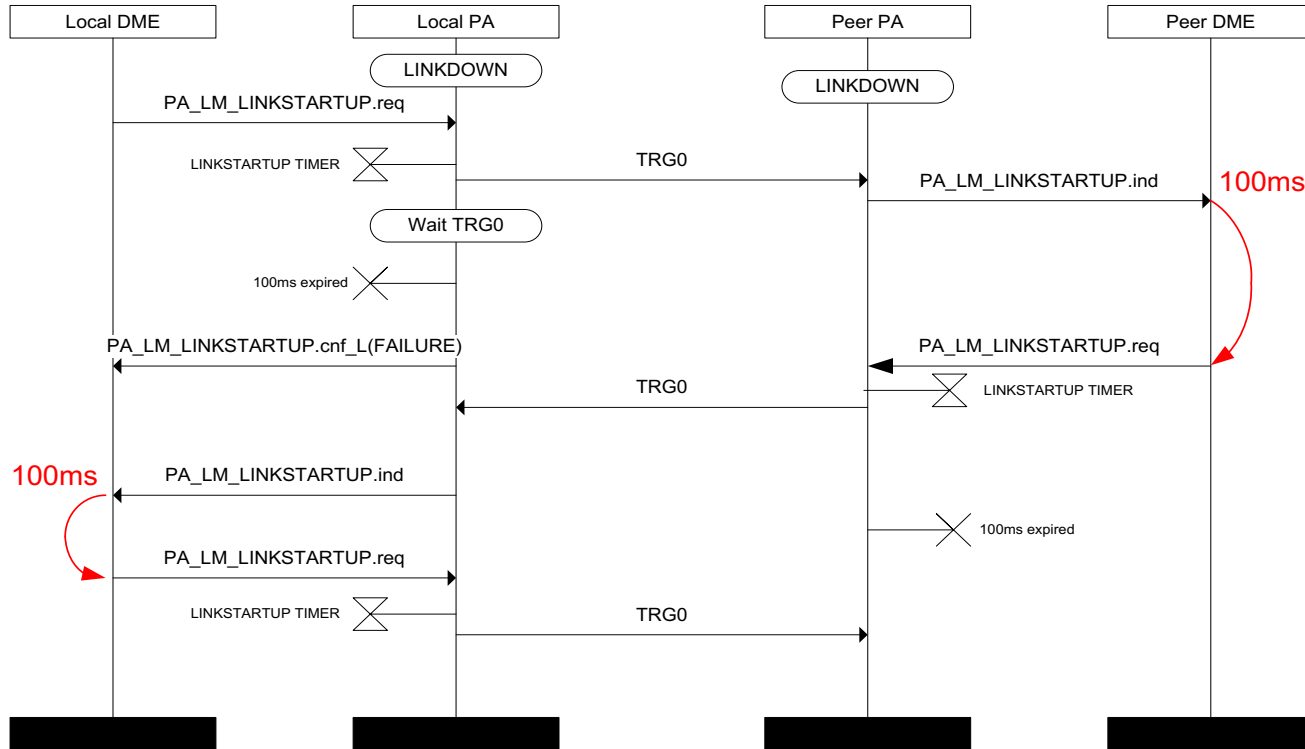
- For Applications mandating same GEAR/MODE in forward and reverse SUB-LINK
- Eases core implementation by reducing clock domain crossings
 - Inserting skip reduces tx payload bandwidth up to the point the receiver can process it
- Shared RefClk based Applications may not benefit from



LinkStartup

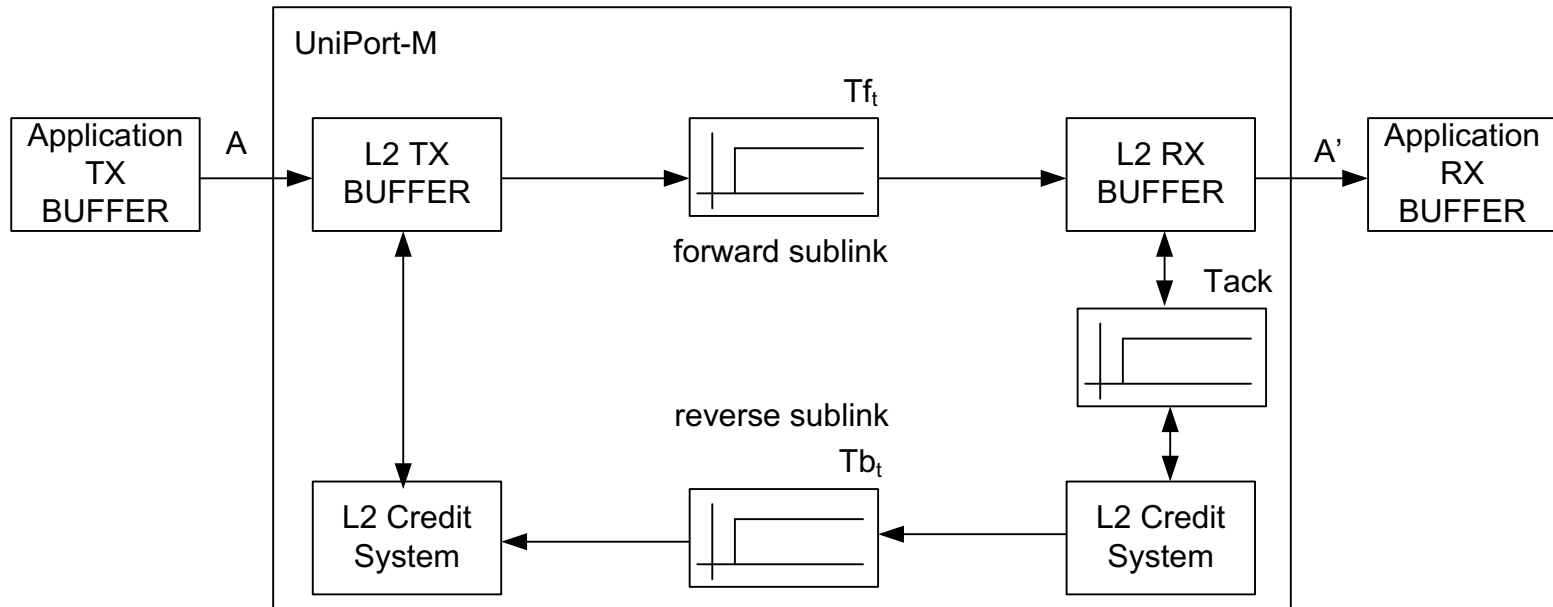
- UniPro v1.61 requires a synchronized DME_RESET.req between local and peer Device
 - Synchronous reset line
 - Synchronous entry into LINK DOWN
 - Within 100ms synchronous DME_LINKSTARTUP.req()

LINKSTARTUP timeout loop



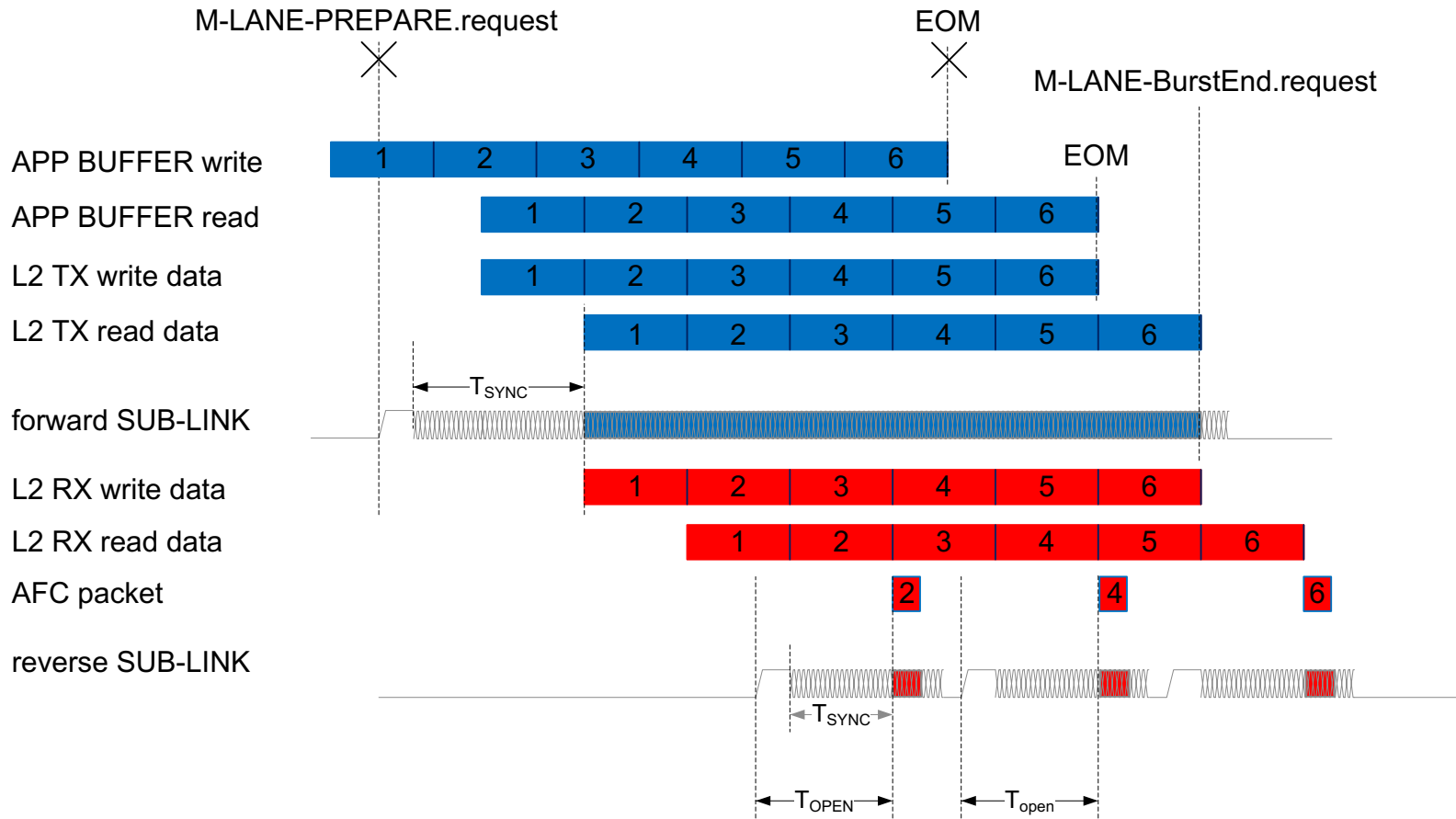


Link Performance, Burst Control





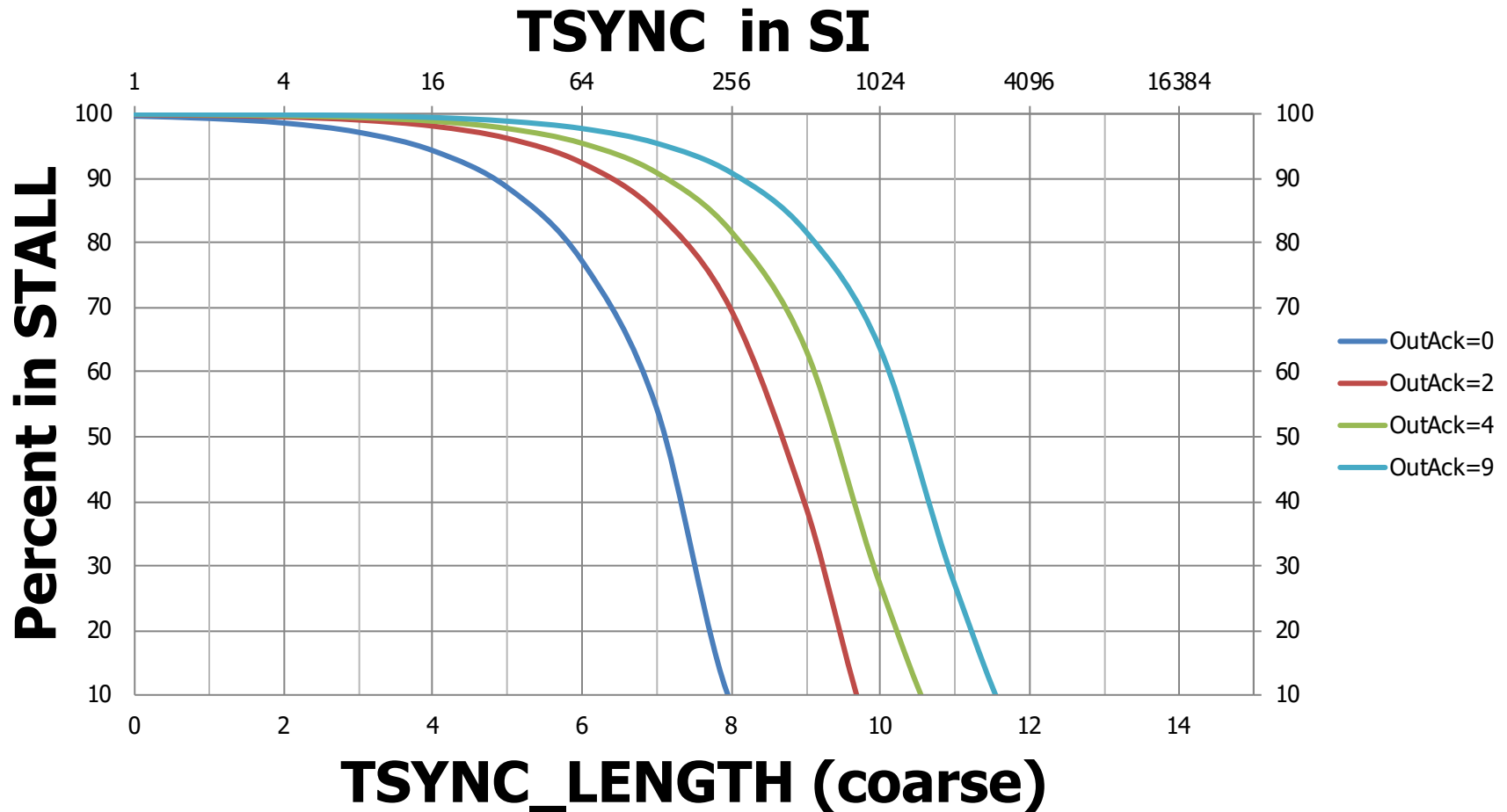
Burst control from Application



- Start Tsync already with Application buffer write!
- Save power on reverse channel by keeping Tsync small



Power Saving with small TSync





QUESTIONS AND (HOPEFULLY) ANSWERS



BACKUP SLIDES

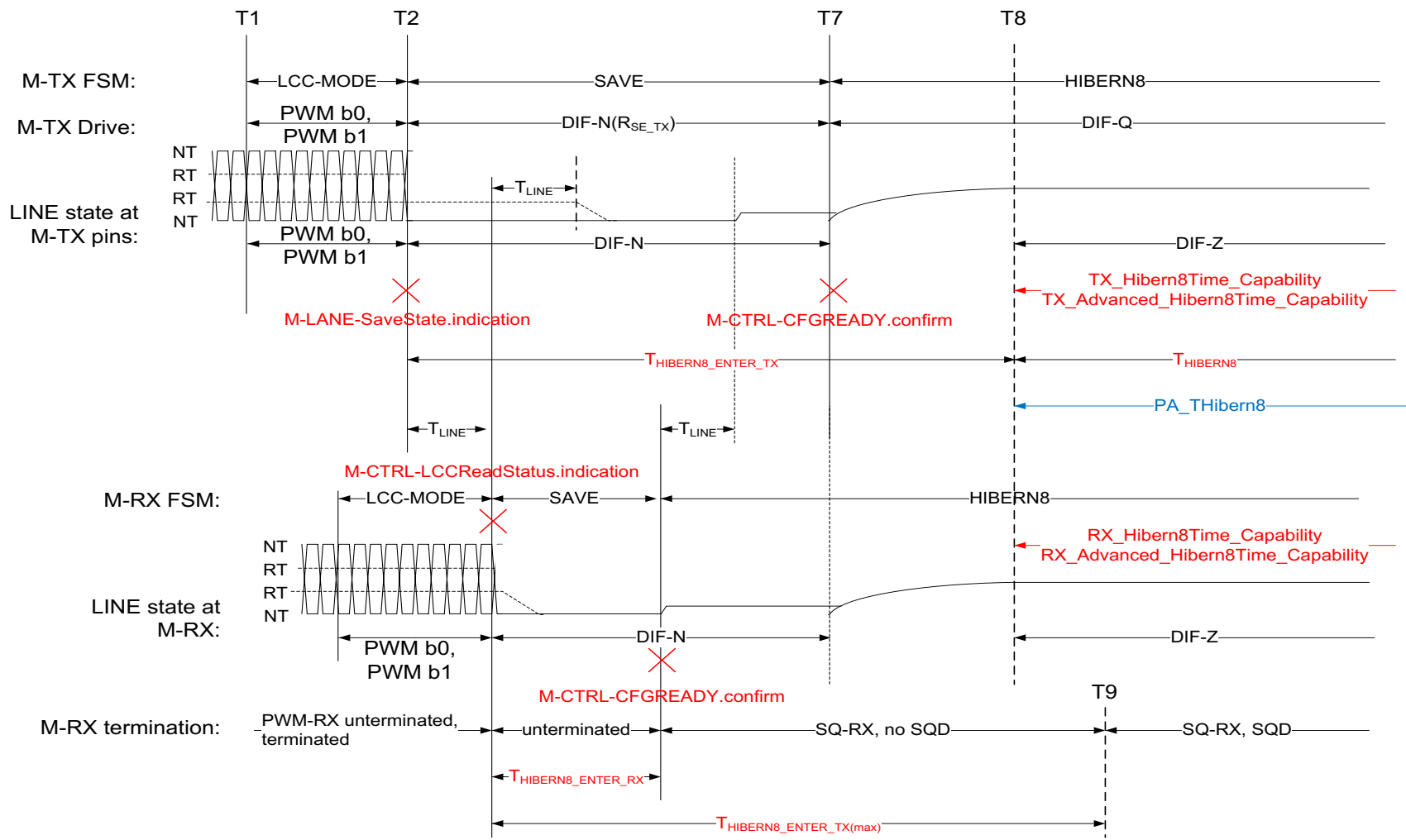


Shared RefClk switching (informative)

- Shared RefClk shall not be switched off
 - With DME_RESET.req (is only local!)
 - With DME_LINKLOSS.ind (only inbound Link!)
 - With detected LINE-RESET (unsynchronized between forward and reverse channel)
 - After a PWR_FATAL response (peer may need RefClk to recover!)
- Shared RefClk may be switched off
 - After DME_POWERMODE.ind(PWR_OK) for both SUB-LINKs into LS-MODE (after delay)
 - DME_POWERMODE.cnf (FAILURE), when none of the SUB-LINKs is in HS-MODE
 - DME_LINKSTARTUP.ind()

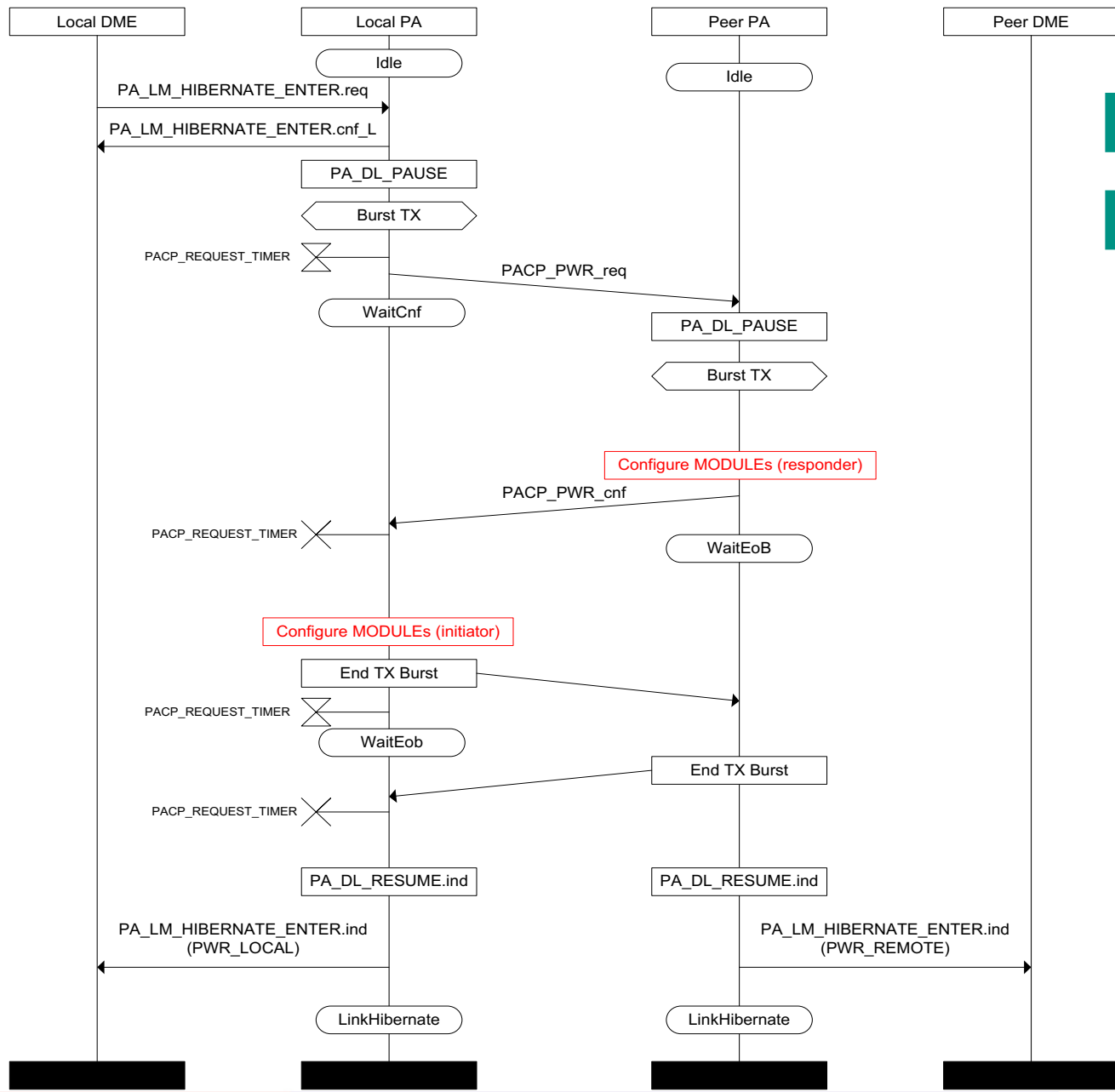


LINECFG to HIBERN8



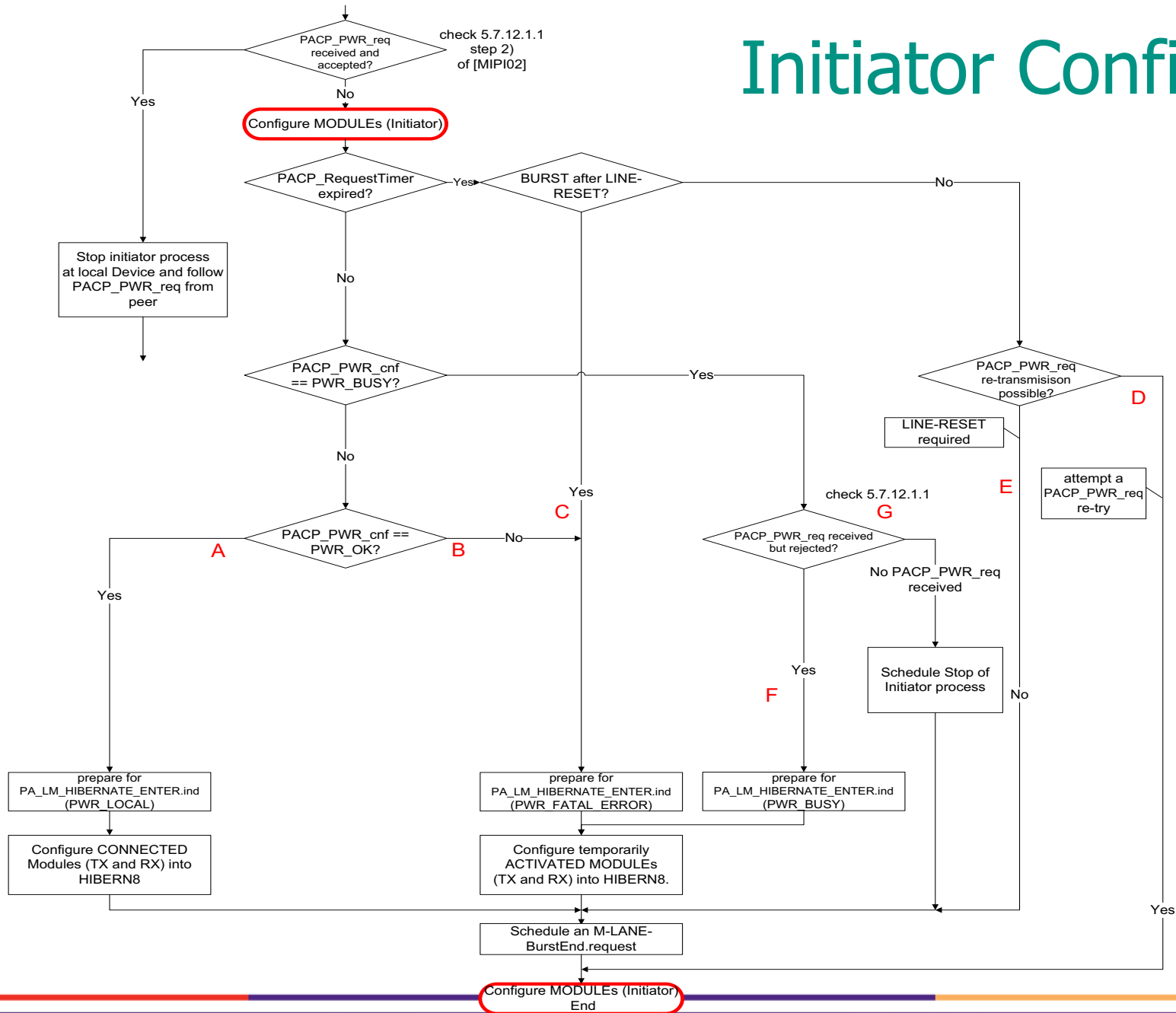


HIBERN8 Enter



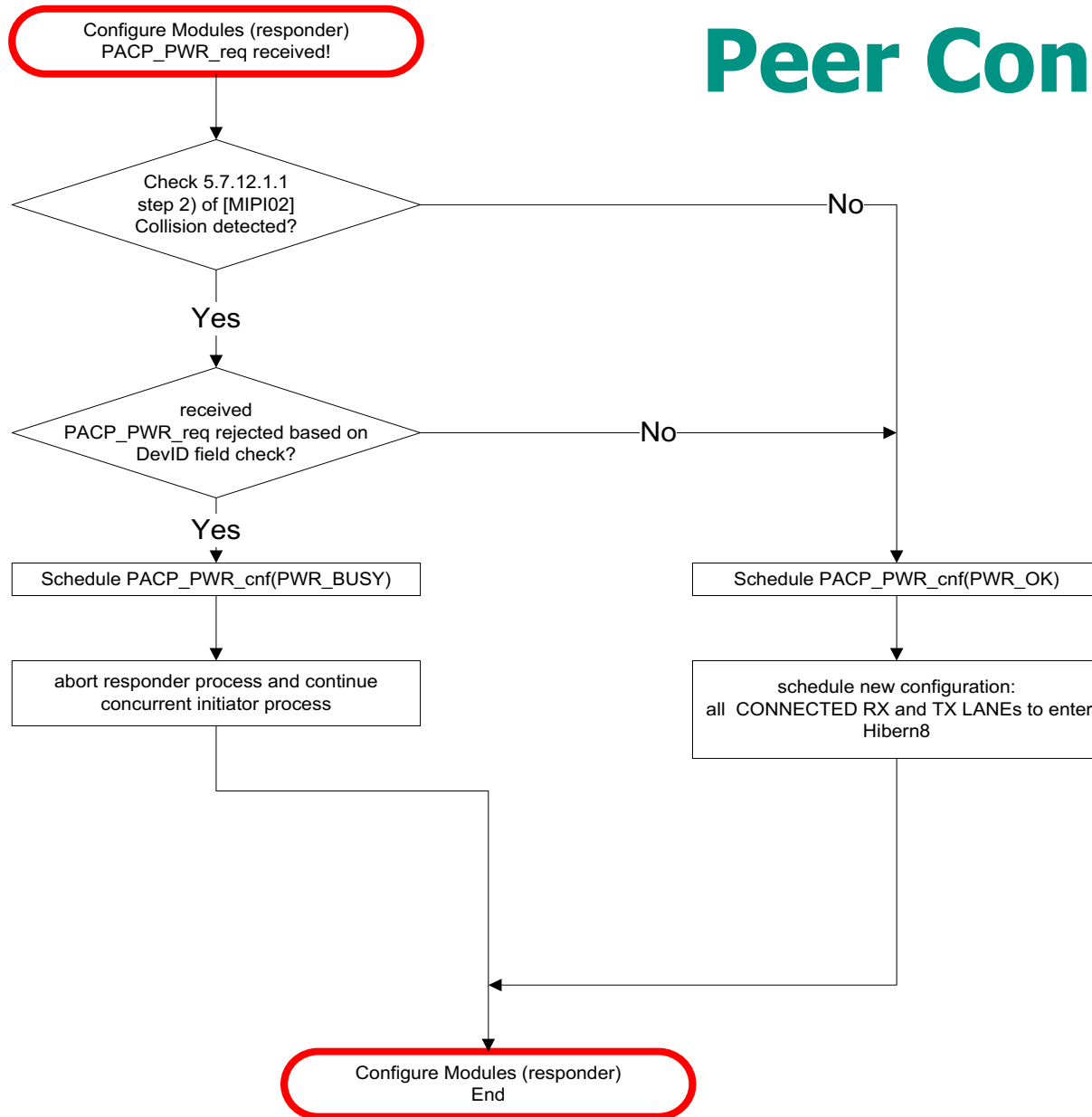


Initiator Config



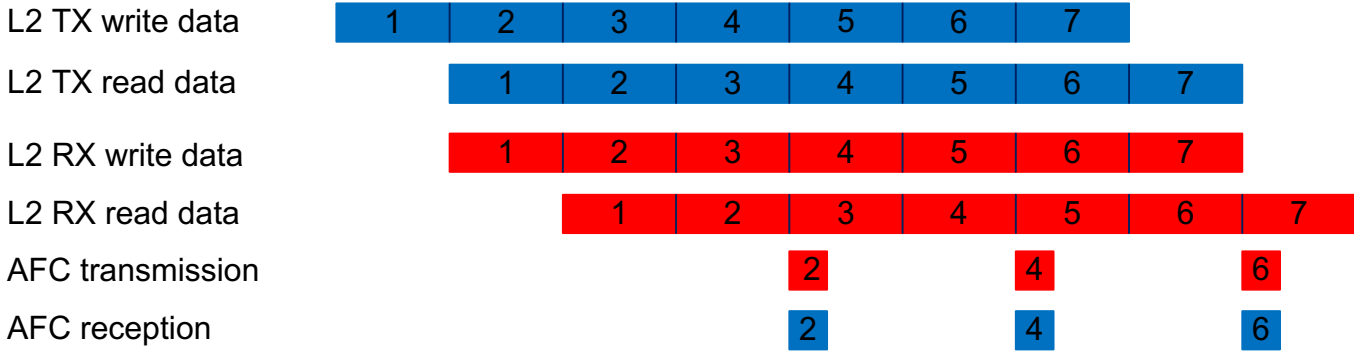
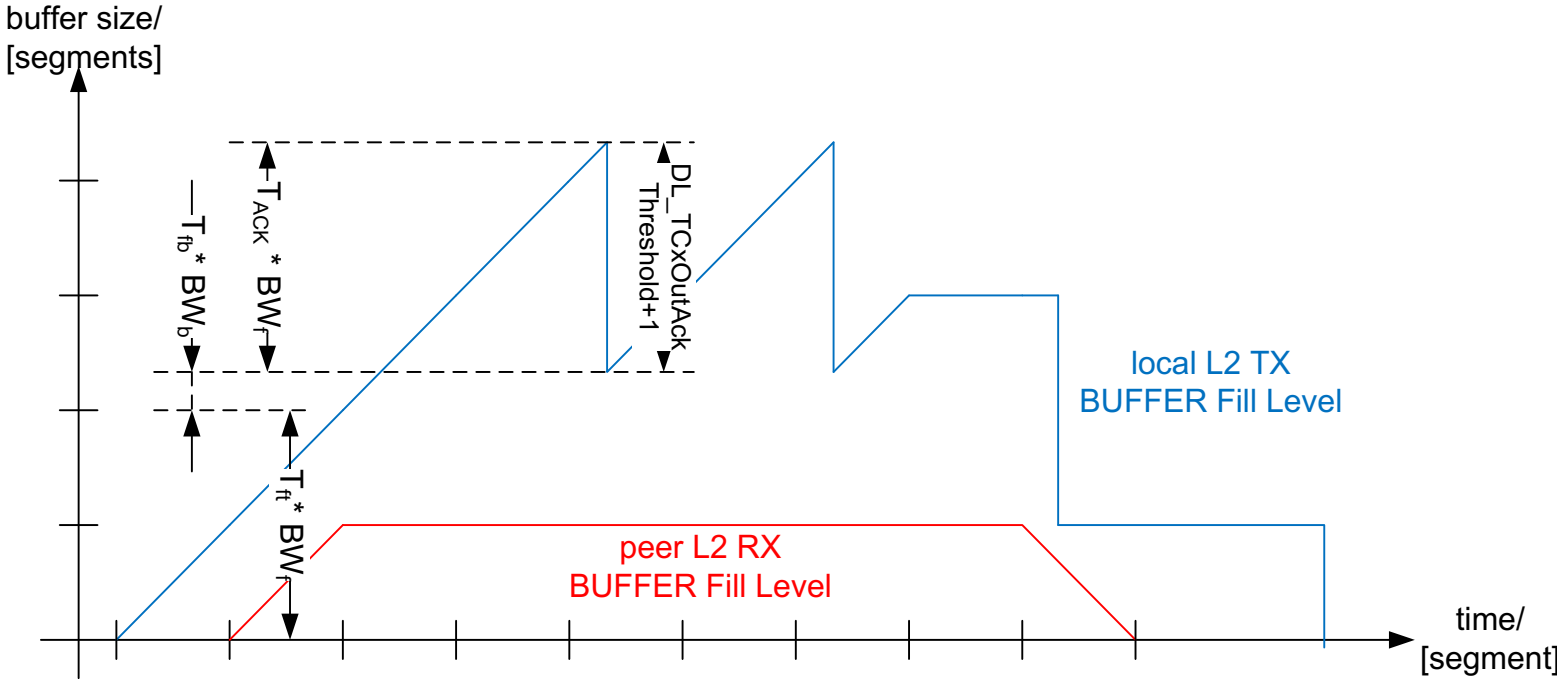


Peer Config





Buffer Usage (OUTACK Threshold = 1)



after AFCRequestTimeout